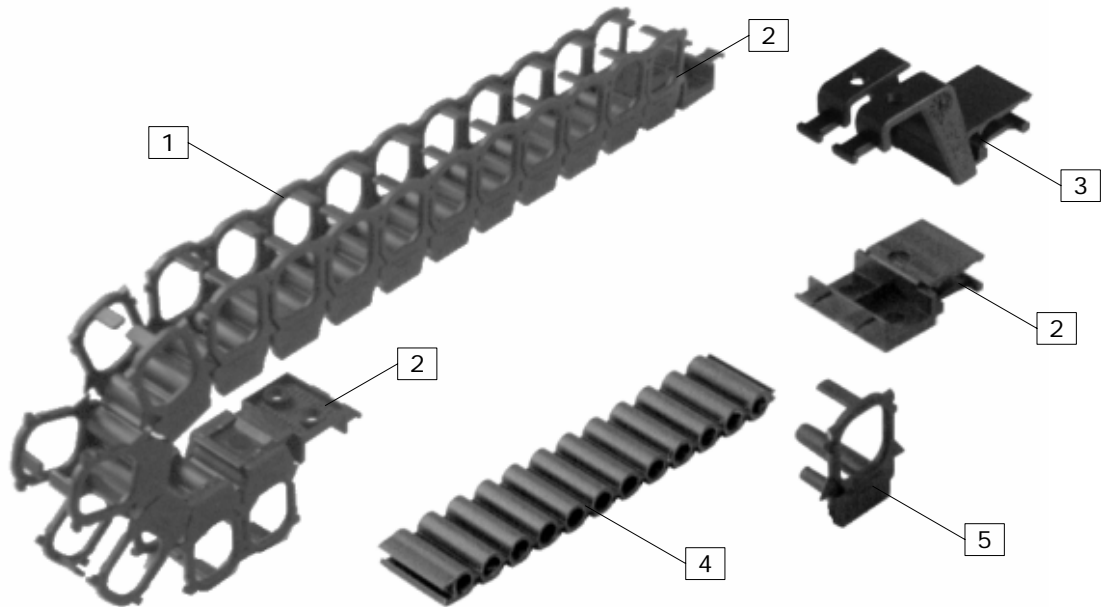


BASIC-LINE^{PLUS}

Cable carriers with extruded plastic profile bars

PROTUM

Type	page
P 0160	2
P 0240	3
P 0300	4
PROTUM OFFICE P 0240 GS	5



Item	Description	Bi	Bk	KR 18	KR 28	KR 38	KR 48
1 ¹	CABLE CARRIER Protum 0160.010.015	15	19	75770	75771	75772	75773
	CABLE CARRIER Protum 0160.010.020	20	24	75774	75775	75776	75777
	CABLE CARRIER Protum 0160.010.030	30	34	75778	75779	75780	75781

Item	Description	Bi 15	Bi 20	Bi 30
2	End connector Protum 0160/0240 inside ²	75720	75721	75722
3	End connector Protum 0160 outside ²	75730	75731	75732
4	Protum Profile 0160/0240	75701	75702	75703

Item	Description	Bi	KR 18	KR 28	KR 38	KR 48
5 ³	Side piece Protum 0160.010.015	15	75750	75751	75752	75753
	Side piece Protum 0160.010.020	20	75754	75755	75756	75757
	Side piece Protum 0160.010.030	30	75758	75759	75760	75761

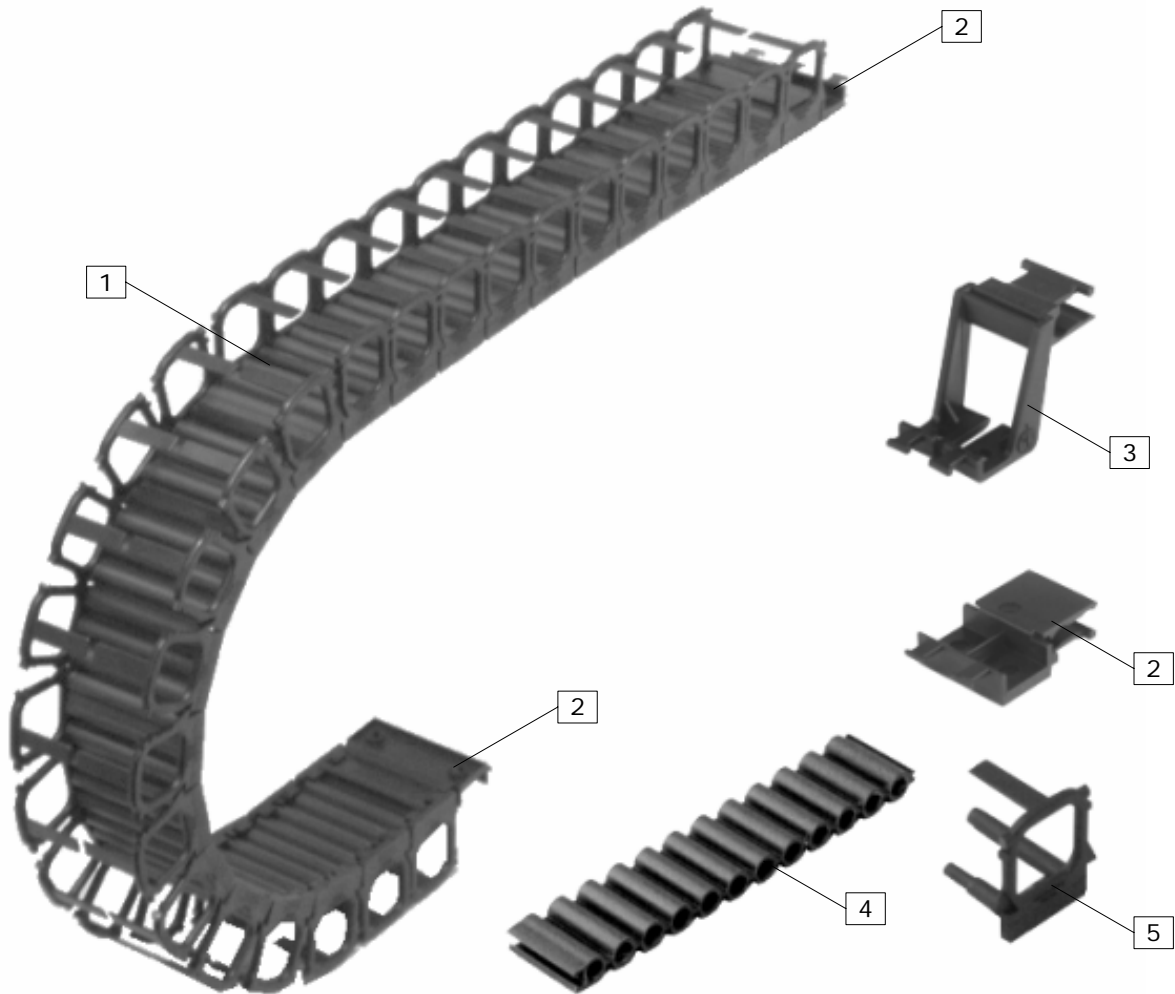
Remarks:

Use 2 side pieces (item 5) to connect 2 pieces Protum (item 1).

¹ Mat.-No. for 1 piece cable drag chain / 59 links=944mm

² for driver and fixed point connector

³ Mat.-No. for 1 side piece



Item	Description	Bi	Bk	KR 27	KR 42	KR 57	KR 72
1 ¹	Cable Carrier Protum 0240.010.020	20	25	75820	75821	75822	75823
	Cable Carrier Protum 0240.010.030	30	35	75824	75825	75826	75827
	Cable Carrier Protum 0240.010.040	40	45	75828	75829	75830	75831

Item	Description	Bi 20	Bi 30	Bi 40
2	End connector Protum 0160/0240 inside ²	75721	75722	75723
3	End connector Protum 0240 outside ²	75733	75734	75735
4	Protum Profil 0160/0240	75702	75703	75704

Item.	Description	Bi	KR 27	KR 42	KR 57	KR 72
5 ³	Side piece Protum 0240.010.020	20	75800	75801	75802	75803
	Side piece Protum 0240.010.030	30	75804	75805	75806	75807
	Side piece Protum 0240.010.040	40	75808	75809	75810	75811

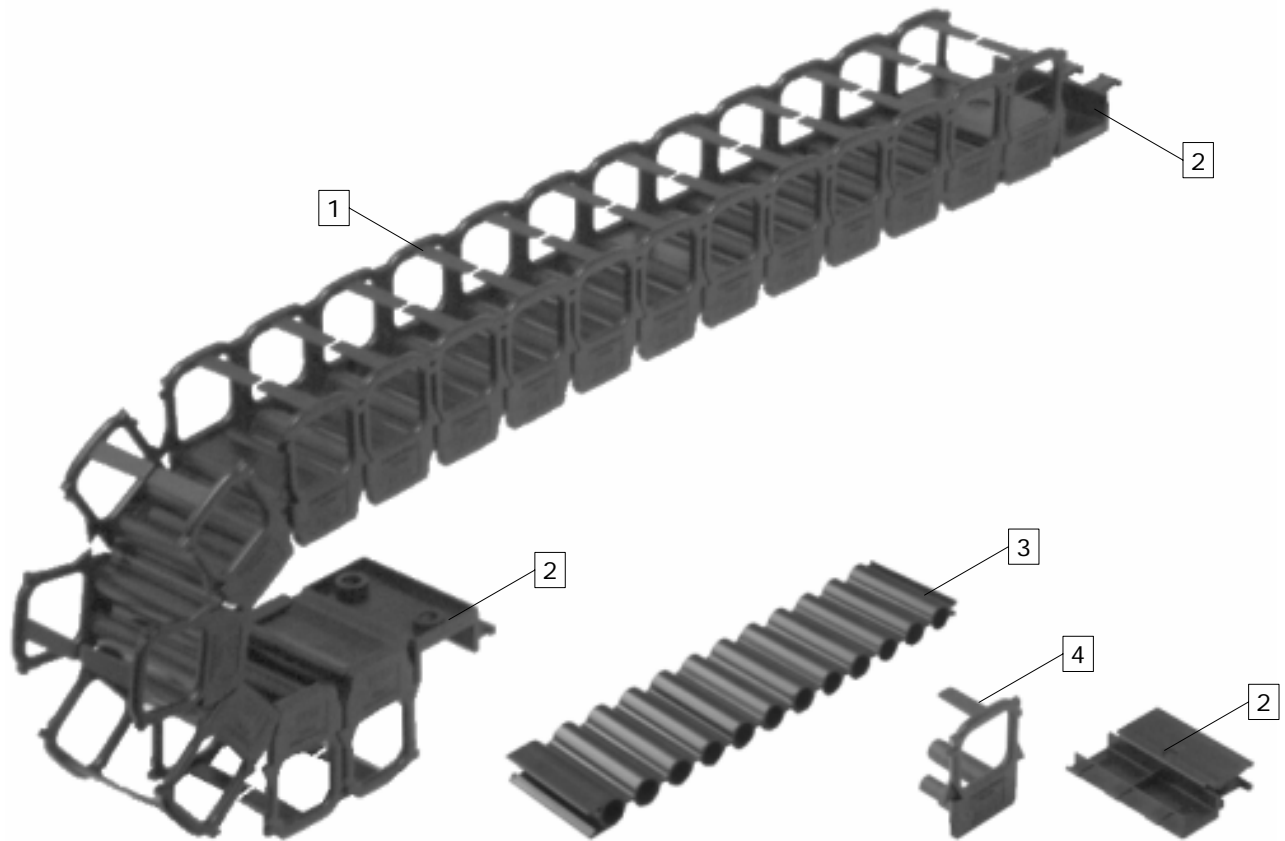
Remarks:

Use 2 side pieces (item 5) to connect 2 pieces Protum (item 1).

¹ Mat.-No. for 1 piece cable drag chain / 39 links=936mm

² for driver and fixed point connector

³ Mat. No. for 1 side piece



Item	Description	Bi	Bk	KR 34	KR 53	KR 72	KR 90
1 ¹	Cable Carrier Protum 0300.010.025	25	31	75860	75861	75862	75863
	Cable Carrier Protum 0300.010.035	35	41	75864	75865	75866	75867
	Cable Carrier Protum 0300.010.045	45	51	75868	75869	75870	75871

Item	Description	Bi 25	Bi 35	Bi 45
2	End connector Protum 0300 ²	75724	75725	75726
3	Protum Profil 0300	75711	75712	75713

Pos.	Description	Bi	KR 34	KR 53	KR 72	KR 90
4 ³	Side piece Protum 0300.010.025	25	75840	75841	75842	75843
	Side piece Protum 0300.010.035	35	75844	75845	75846	75847
	Side piece Protum 0300.010.045	45	75848	75849	75850	75851

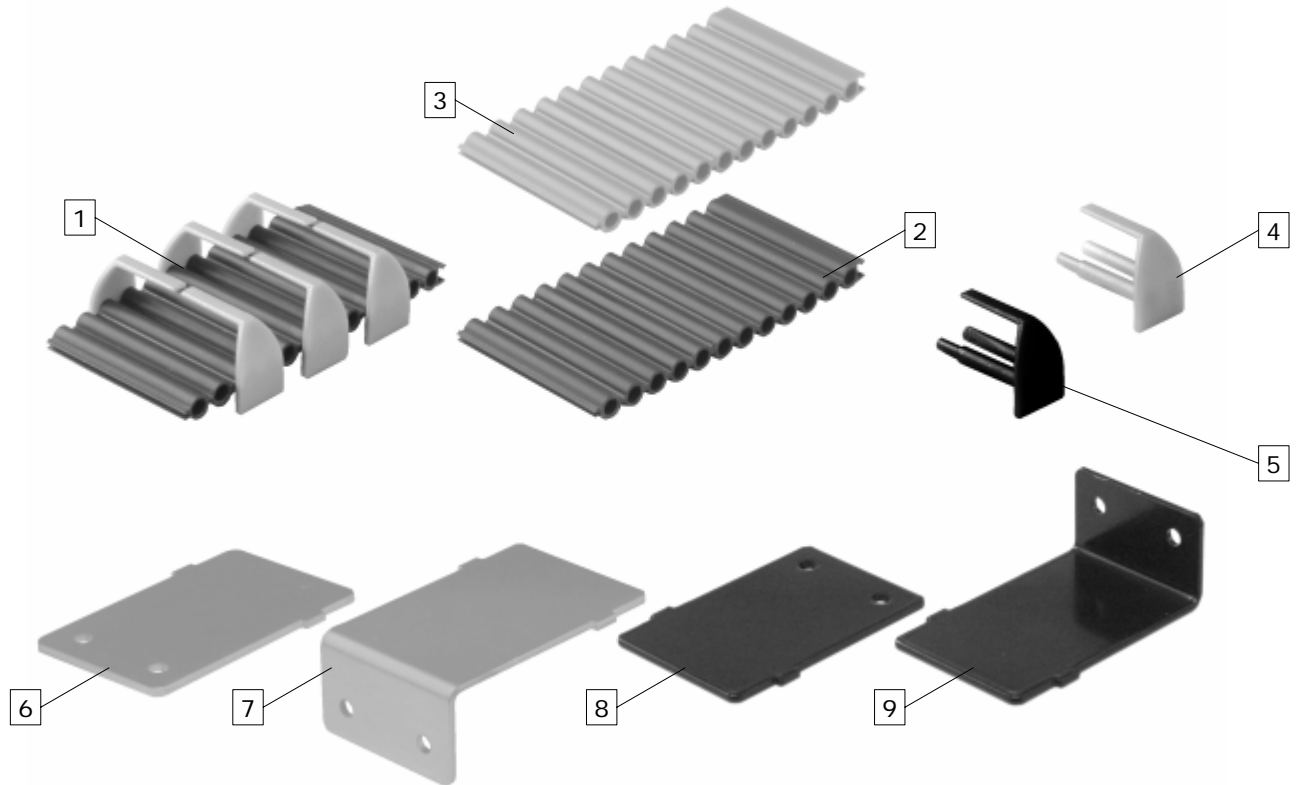
Remarks:

Use 2 side pieces (item 4) to connect 2 pieces Protum (item 1).

¹ Mat.-No. for 1 piece cable drag chain / 29 links=870mm

² for driver and fixed point connector

³ Mat. No. for 1 side piece



Item	Description/ Remarks	Material-No.
1	Protum Office P0240 GS, Profile black, side piece silver-grey ¹	75782
No pic.	Protum Office P0240 GS, Profile silver-grey, side piece silver-grey ¹	75783
No pic.	Protum Office P0240 GS, Profile black, side piece black ¹	75784
No pic.	Protum Office P0240 GS, Profile silver-grey, side piece black ¹	75785
2	Protum Profile 0240.49,9 black	75705
3	Protum Profile 0240.49,9 silver-grey	75706
4	side piece Protum Office P0240 GS, silver-grey ²	75762
5	side piece Protum Office P0240 GS, black ²	75763
6	AW Protum Office P 0240 GS – colourless galvanized, straight/ Al	75764
7	AW Protum Office P 0240 GS – colourless galvanized, with angle / Al	75765
8	AW Protum Office P 0240 GS – black galvanized, straight / Al	75766
9	AW Protum Office P 0240 GS – black galvanized, with angle / Al	75767

Remarks:

- Use two side pieces (item 4, 5) to connect 2 pc EFK Protum Office (item 1).
- The connecting pieces (item 6–9) are mountable at the driver and fixed side.
- The connecting pieces with angle are mountable in direction top and bottom, respectively.

¹ Material No. for 1 piece Protum Office P0240 GS, 960 mm

² Material No. for 1 side piece