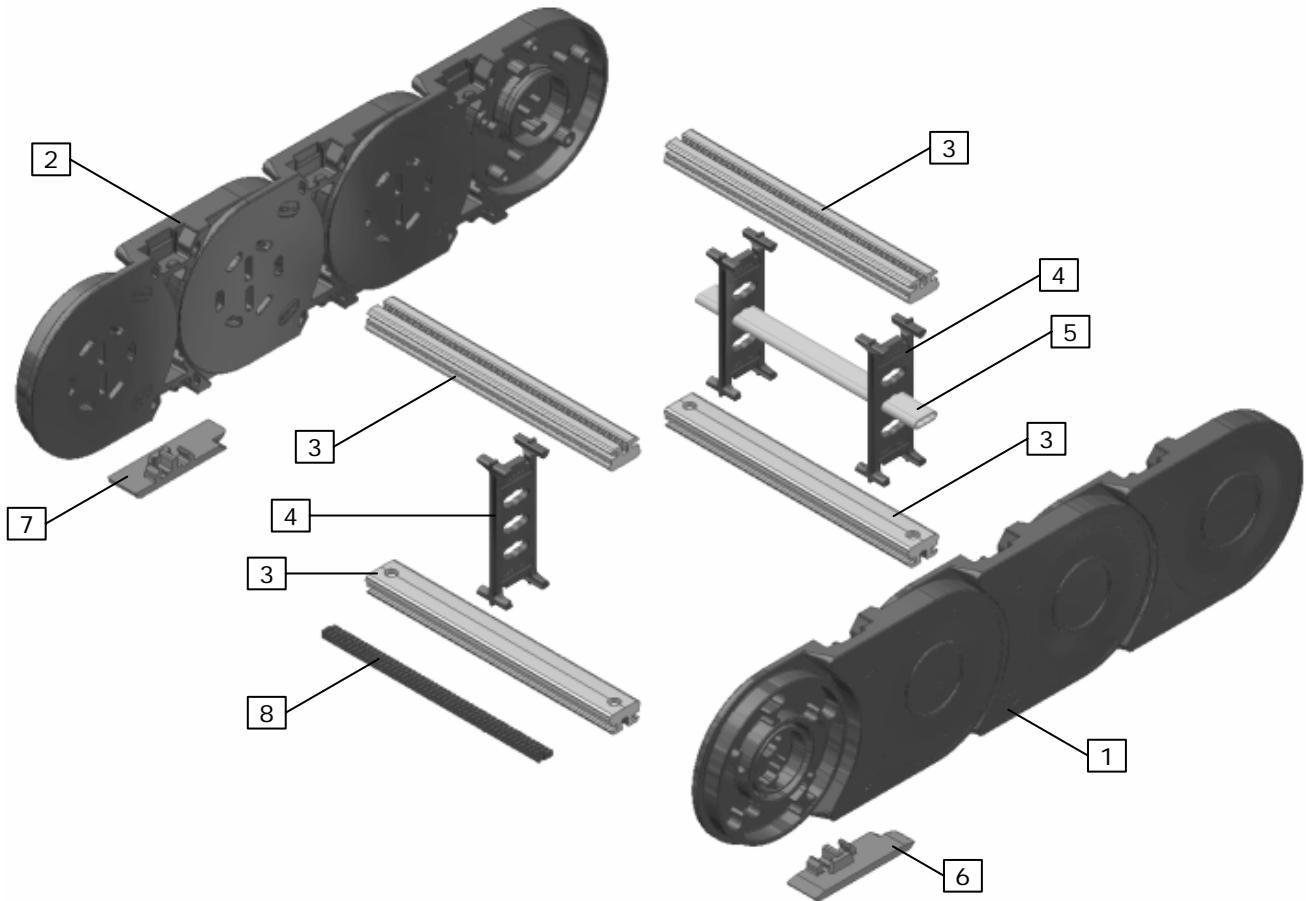


VARIO-LINE

Plastic cable carriers with variable carrier width

MASTER H-Series Type H 46

Type	Page
HC 46 RSH; TS0, TS1	2
HC 46 RSH; TS3	3
HT 46 RDH	4
End connectors	5



Item	Description	KR 75	KR 100	KR 115	KR 125	KR 150	KR 170
1	Chain band H46 right ¹	76549	76558	76560	76562	76564	76566
2	Chain band H46 left ¹	76557	76559	76561	76563	76565	76567
		KR 200	KR 215	KR 250	KR 300	KR 350	RKR 350²
1	Chain band H46 right ¹	76568	76570	76572	76574	76576	76602
2	Chain band H46 left ¹	76569	76571	76573	76575	76577	76603

Item	Al-profile bar/ Standard width, individual widths possible in 1mm grid								
3	Bi	50	75	100	125	150	175	200	225
	L	61	86	111	136	161	186	211	236
	Material number	76511	76512	76513	76514	76515	76516	76517	76518
	Bi	250	275	300	325	350	375	400	–
	L	261	286	311	336	361	386	411	–
	Material number	76519	76520	76521	76522	76523	76524	76525	–

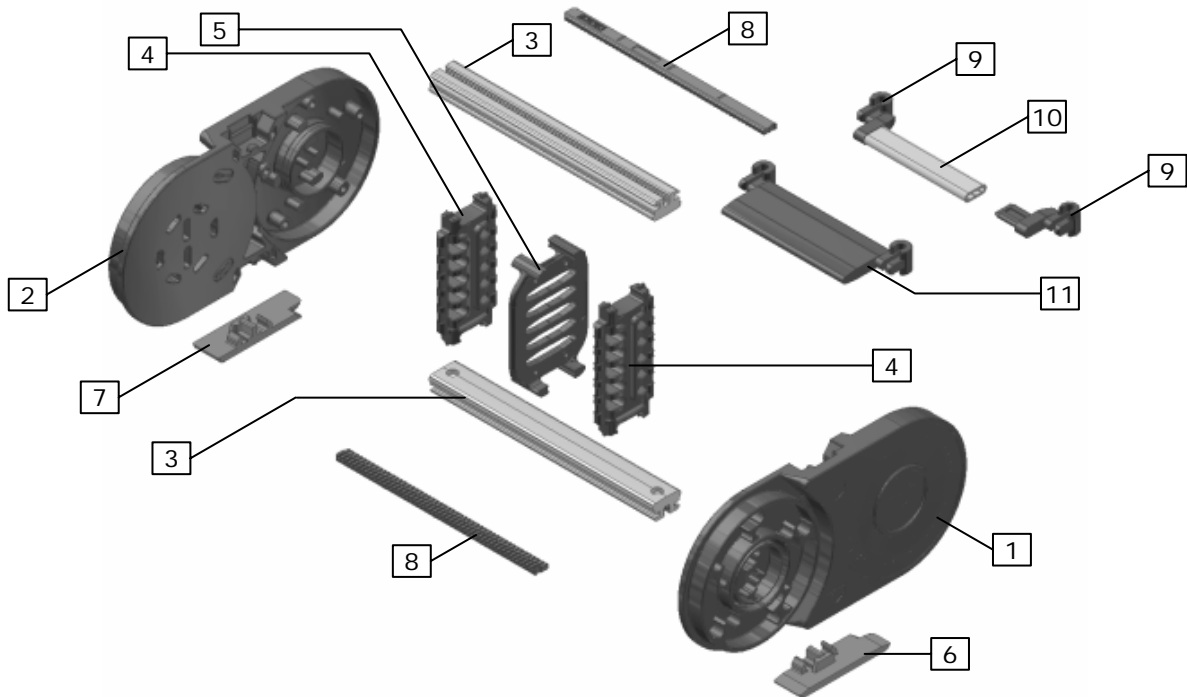
Item	Description/ Remarks	Material number
4	H46 Divider, Standard / s _T =3mm	76500
5	Al-hollow profile 11x4 / for continuous height separation TS 1, max. 3m ³	5803
6	H46 sliding shoe right, usable from KR 100	76502
7	H46 sliding shoe left, usable from KR 100	76501
8	H33-46 Fixing profile/ L=100mm, to fix the dividers ⁴	76301

¹ Material number for 1 piece chain band mounted, 15 chain links=1005mm

² RKR chain band in colour grey similarly to RAL 7021

³ Please indicate length at order

⁴ Line up on necessary length Bi and/or cut to length Bi



Item	Description	KR 75	KR 100	KR 115	KR 125	KR 150	KR 170
1	Chain band H46 right ⁵	76549	76558	76560	76562	76564	76566
2	Chain band H46 left ⁵	76557	76559	76561	76563	76565	76567
		KR 200	KR 215	KR 250	KR 300	KR 350	RKR 350 ⁶
1	Chain band H46 right ⁵	76568	76570	76572	76574	76576	76602
2	Chain band H46 left ⁵	76569	76571	76573	76575	76577	76603

Item	Al-profile bar/ Standard widths, individual widths possible in 1 mm grid								
3	Bi	50	75	100	125	150	175	200	225
	L	61	86	111	136	161	186	211	236
	Material number	76511	76512	76513	76514	76515	76516	76517	76518
	Bi	250	275	300	325	350	375	400	–
	L	261	286	311	336	361	386	411	–
	Material number	76519	76520	76521	76522	76523	76524	76525	–

Item	Description / Remarks	Material number
4	H46 Divider for height separation / $s_T=8\text{mm}$	76546
5	H46 Twin divider/ $s_T=3\text{mm}$	76547
6	H46 sliding shoe right, usable from KR 100	76502
7	H46 sliding shoe left, usable from KR 100	76501
8	H33-46 Fixing profile/ $L=100\text{mm}$, to fix the dividers ⁷	76301
9	Adapter for Al-height separation, with Al-profile item 10 and divider item 4	72500
10	Al-hollow profile 11x4 / for height separation ⁸	5803

Item	Plastic horizontal divider for height separation with divider item 5 ⁹								
8	Width	16	18	23	28	32	33	38	43
	Material No.	71514	52580	52581	52582	71515	52583	52584	52585
	Width	48	58	64	68	78	80	88	96
	Material No.	71516	52587	71517	52588	52589	71518	52590	71519
	Width	112	128	144	160	176	192	208	–
	Material No.	71520	71521	71522	71523	71524	71525	71526	–

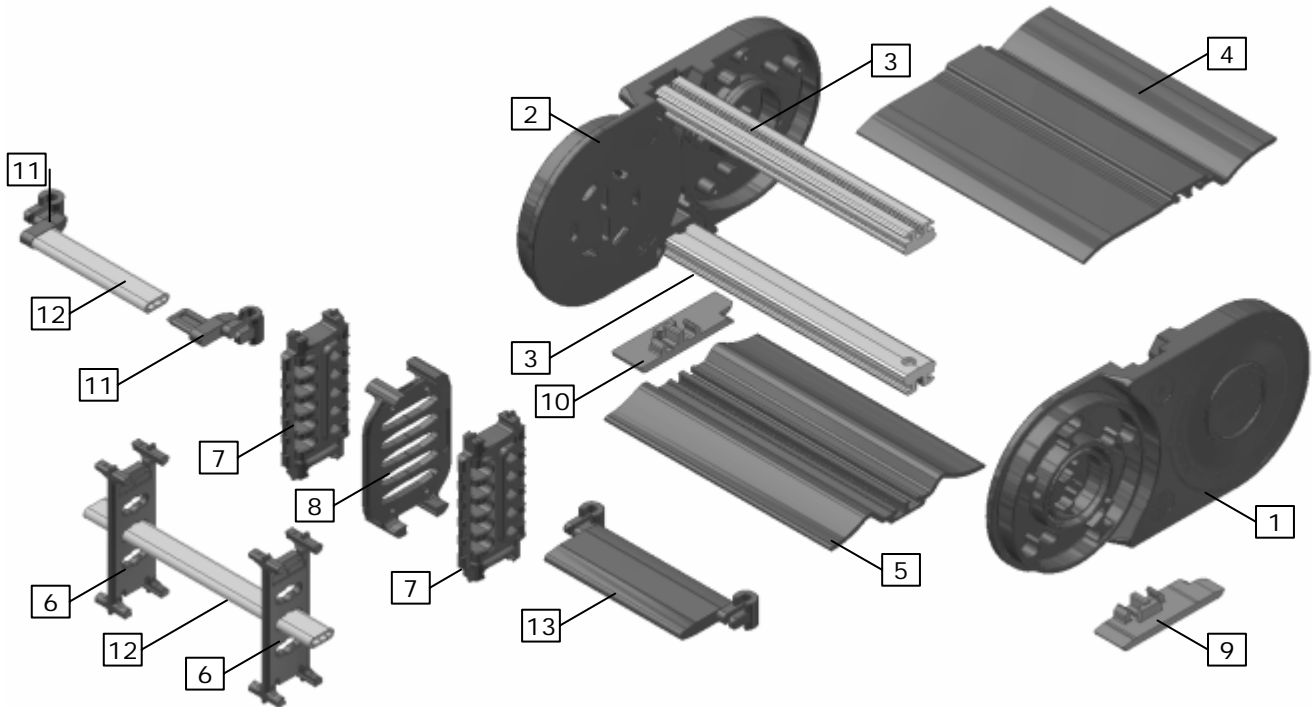
⁵ Material number for 1 piece chain band mounted, 15 chain links=1005mm

⁶ RKR chain band in colour grey similarly to RAL 7021

⁷ Line up on necessary length Bi and/or cut to length Bi

⁸ Please indicate length at order, $L=a_x-18\text{mm}$, $a_x>42\text{mm}$

⁹ Chamber width=width-8mm, Thickness: 4mm



Item	Description	KR 125	KR 150	KR 170	KR 200	KR 215	KR 250	KR 300	KR 350
1	Chain band H46 right ¹⁰	76562	76564	76566	76568	76570	76572	76574	76576
2	Chain band H46 left ¹⁰	76563	76565	76567	76569	76571	76573	76575	76577

Item	Al-profile bar/ Standard width, individual width possible in 1mm grid	KR 125	KR 150	KR 170	KR 200	KR 215	KR 250	KR 300	KR 350
3	Bi	50	75	100	125	150	175	200	225
	L	61	86	111	136	161	186	211	236
	Material number	76511	76512	76513	76514	76515	76516	76517	76518
	Bi	250	275	300	325	350	375	400	-
	L	261	286	311	336	361	386	411	-
	Material number	76519	76520	76521	76522	76523	76524	76525	-

Item	Description / Remarks	Material No.
4	Cover outside HT46 / plastic, L=Bi-0.5mm	5848
5	Cover inside HT46 / plastic, L=Bi-0.5mm	5849
6	H46 divider, Standard / s _T =3mm	76500
7	H46 divider for height separation / s _T =8mm	76546
8	H46 Twin divider/ s _T =3mm	76547
9	H46 sliding shoe right / usable from KR 100	76502
10	H46 sliding shoe left / usable from KR 100	76501
12	Al-hollow profile 11x4 / for height separation, max. 3 lfm. ¹¹	5803

Item	Plastic horizontal divider for height separation with divider item 7 ¹²	KR 125	KR 150	KR 170	KR 200	KR 215	KR 250	KR 300	KR 350
13	Width	16	18	23	28	32	33	38	43
	Material number	71514	52580	52581	52582	71515	52583	52584	52585
	Width	48	58	64	68	78	80	88	96
	Material number	71516	52587	71517	52588	52589	71518	52590	71519
	Width	112	128	144	160	176	192	208	-
	Material number	71520	71521	71522	71523	71524	71525	71526	-

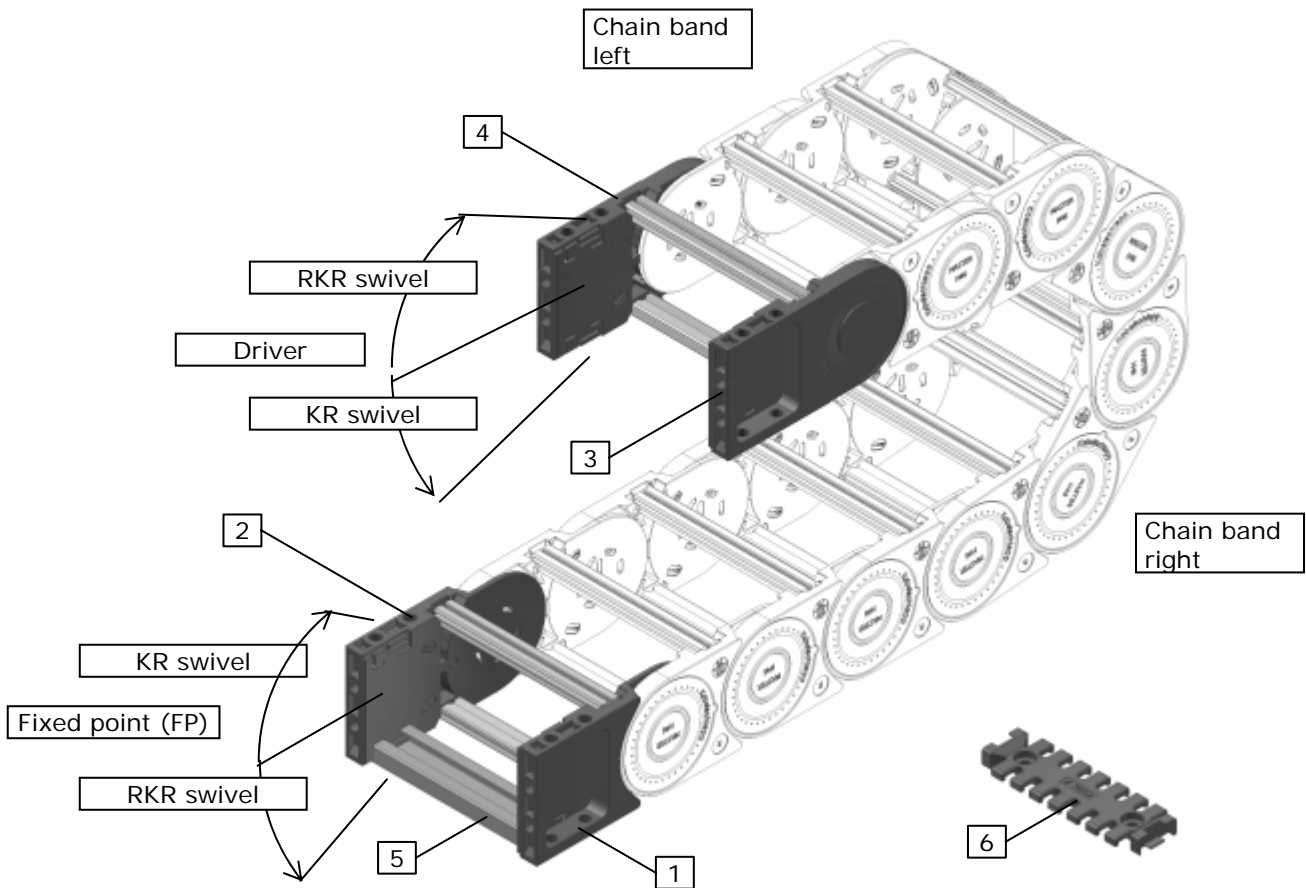
Remarks:

- Minimum bending radius for use with plastic covers KR_{min}=125mm.

¹⁰ Material number for 1 piece chain band mounted, 15 chain links=1005mm

¹¹ Please indicate length at order, L=Bi-1mm for TS1, L=a_x-18mm, a_x>42mm for TS3

¹² Chamber width=width-8mm



Item	Description / Remarks	KR swivel (Standard)	RKR swivel
1	End connector H46, closed FP right	76505	76509
2	End connector H46, closed FP left	76506	76510
3	End connector H46, closed MI right	76503	76507
4	End connector H46, closed MI left	76504	76508

Item	Description / Remarks	Material number
No pic.	Retaining profile 25x10 series 0600 St, length=Bi+4mm	3931
No pic.	Strain relief H33/46 Bi 050	76550
No pic.	Strain relief H33/46 Bi 075	76551
6	Strain relief H33/46 Bi 100	76552
No pic.	Strain relief H33/46 Bi 125	76553
No pic.	Strain relief H33/46 Bi 150	76554

Remarks:

- Optional are Open End connectors on request.
- Item 1-4: End connectors made of plastics