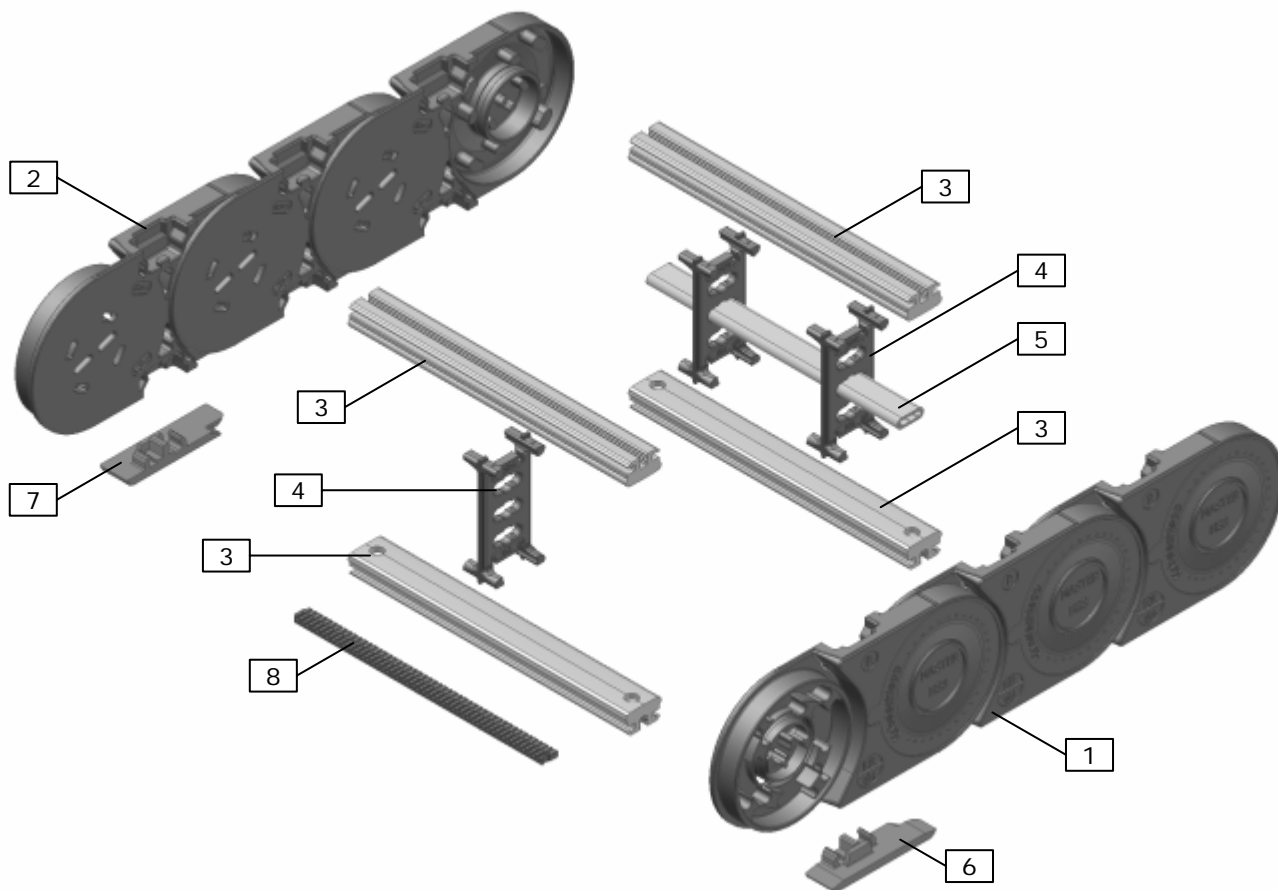


VARIO-LINE

Plastic cable carriers with variable carrier width

MASTER H-Series Type H33

Type	Page
HC33 RSH; TS0, TS1.....	2
HC33 RSH; TS3.....	3
HT33 RDH.....	4
End connectors.....	5



Item	Description	KR 60	KR 75	KR 100	KR 125	KR 150	KR 175
1	Chain band H33 right ¹	76526	76527	76528	76529	76530	76531
2	Chain band H33 left ¹	76536	76537	76538	76539	76540	76541
		KR 200	KR 220	KR 250	KR 300	RKR 300²	–
1	Chain band H33 right ¹	76532	76533	76534	76535	76600	–
2	Chain band H33 left ¹	76542	76543	76544	76545	76601	–

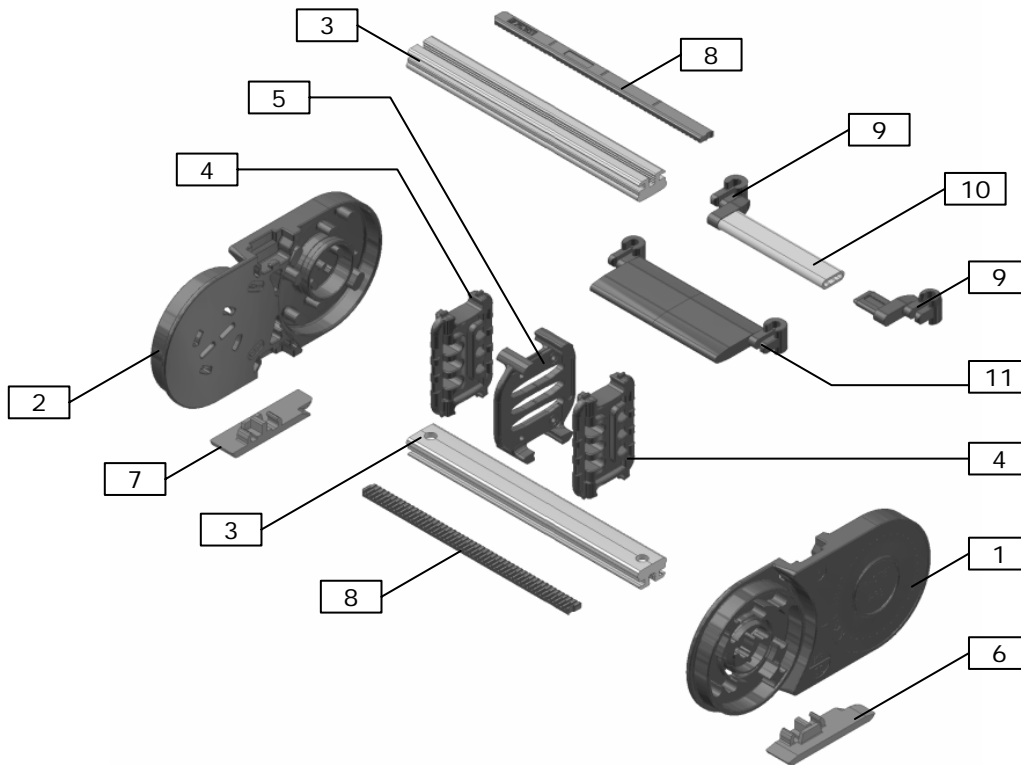
Item	Al-profile bar/ Standard widths, individual widths possible in 1 mm grid								
3	Bi	50	75	100	125	150	175	200	225
	L	61	86	111	136	161	186	211	236
	Material number	76511	76512	76513	76514	76515	76516	76517	76518
	Bi	250	275	300	325	350	375	400	–
	L	261	286	311	336	361	386	411	–
	Material number	76519	76520	76521	76522	76523	76524	76525	–

Item	Description/ Remarks	Material number
4	Divider, Standard / $s_T=3\text{mm}$	76300
5	Al-hollow profile 11x4 / for continuous height separation TS 1, max. 3m^3	5803
6	H33 sliding shoe right, usable from KR 100	76313
7	H33 sliding shoe left, usable from KR 100	76312
8	H33-46 Fixing profile/ L=100mm, to fix the dividers	76301

¹ Material number for 1 piece chain band mounted, 18 chain links=1008 mm

² RKR chain band in colour grey similarly to RAL 7021

³ Please indicate length at order



Item	Description	KR 60	KR 75	KR 100	KR 125	KR 150	KR 175
1	Chain band H33 right ⁴	76526	76527	76528	76529	76530	76531
2	Chain band H33 left ¹	76536	76537	76538	76539	76540	76541
		KR 200	KR 220	KR 250	KR 300	RKR 300⁵	–
1	Chain band H33 right ¹	76532	76533	76534	76535	76600	–
2	Chain band H33 left ¹	76542	76543	76544	76545	76601	–

Item	Al-profile bar/ Standard widths, individual widths possible in 1 mm grid								
3	Bi	50	75	100	125	150	175	200	225
	L	61	86	111	136	161	186	211	236
	Material number	76511	76512	76513	76514	76515	76516	76517	76518
	Bi	250	275	300	325	350	375	400	–
	L	261	286	311	336	361	386	411	–
	Material number	76519	76520	76521	76522	76523	76524	76525	–

Item	Description / Remarks	Material number
4	Divider for height separation / $s_T=8\text{mm}$	76302
5	Twin divider/ $s_T=3\text{mm}$	76311
6	H33 sliding shoe right, usable from KR 100	76313
7	H33 sliding shoe left, usable from KR 100	76312
8	H33-46 Fixing profile/ L=100mm, to fix the dividers	76301
9	Adapter for Al-height separation, with Al-profile item 10 and divider item 4	72500
10	Al-hollow profile 11x4 / for height separation ⁶	5803

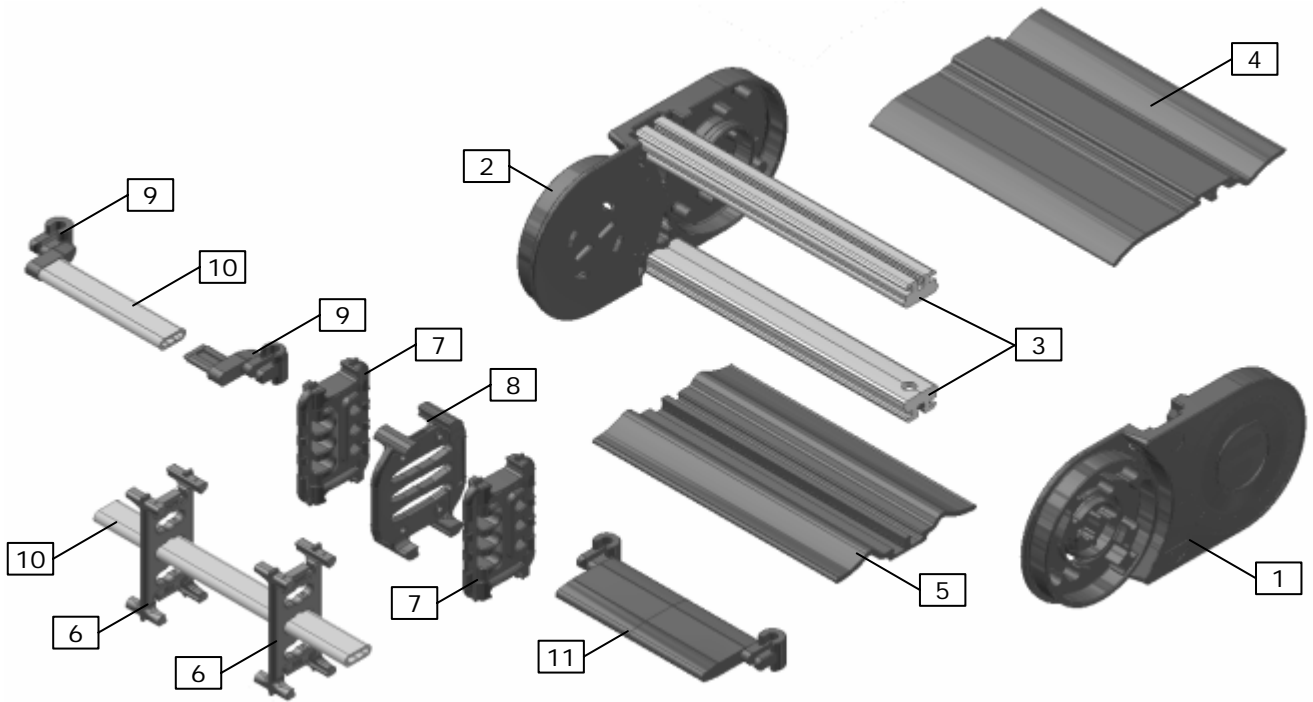
Item	Plastic horizontal divider for height separation with divider item 5 ⁷								
8	Width	16	18	23	28	32	33	38	43
	Material No.	71514	52580	52581	52582	71515	52583	52584	52585
	Width	48	58	64	68	78	80	88	96
	Material No.	71516	52587	71517	52588	52589	71518	52590	71519
	Width	112	128	144	160	176	192	208	–
	Material No.	71520	71521	71522	71523	71524	71525	71526	–

⁴ Material number for 1 piece chain band mounted, 18 chain links=1008 mm

⁵ RKR chain band in colour grey similarly to RAL 7021

⁶ Please indicate length at order, L=ax-18mm, max. 3m

⁷ Chamber width=width-8mm, thickness: 4mm



Item	Description	-	-	KR 100	KR 125	KR 150	KR 175
1	Chain band H33 right ⁸	-	-	76528	76529	76530	76531
2	Chain band H33 left ¹	-	-	76538	76539	76540	76541
		KR 200	KR 220	KR 250	KR 300	-	-
1	Chain band H33 right ¹	76532	76533	76534	76535	-	-
2	Chain band H33 left ¹	76542	76543	76544	76545	-	-

Item	Al-profile bar/ Standard widths, individual widths possible in 1 mm grid								
3	Bi	50	75	100	125	150	175	200	225
	L	61	86	111	136	161	186	211	236
	Material number	76511	76512	76513	76514	76515	76516	76517	76518
	Bi	250	275	300	325	350	375	400	-
	L	261	286	311	336	361	386	411	-
	Material number	76519	76520	76521	76522	76523	76524	76525	-

Item	Description / remarks	Material No.
4	Cover outside HT33 / Plastic ⁹	5846
5	Cover inside HT33 / Plastic ²	5847
6	Divider, Standard / $s_T=3\text{mm}$	76300
7	Divider for height separation / $s_T=8\text{mm}$	76302
8	Twin divider/ $s_T=3\text{mm}$	76311
9	Adapter for Al-height separation, with Al-profile item 10 and divider item 7	72500
10	Al-hollow profile 11x4 / for TS1, L=Bi-1 and for height separation, L=ax-18 ¹⁰	5803

Item	Plastic horizontal divider for height separation with divider item 7 ¹¹								
8	Width	16	18	23	28	32	33	38	43
	Material No.	71514	52580	52581	52582	71515	52583	52584	52585
	Width	48	58	64	68	78	80	88	96
	Material No.	71516	52587	71517	52588	52589	71518	52590	71519
	Width	112	128	144	160	176	192	208	-
	Material No.	71520	71521	71522	71523	71524	71525	71526	-

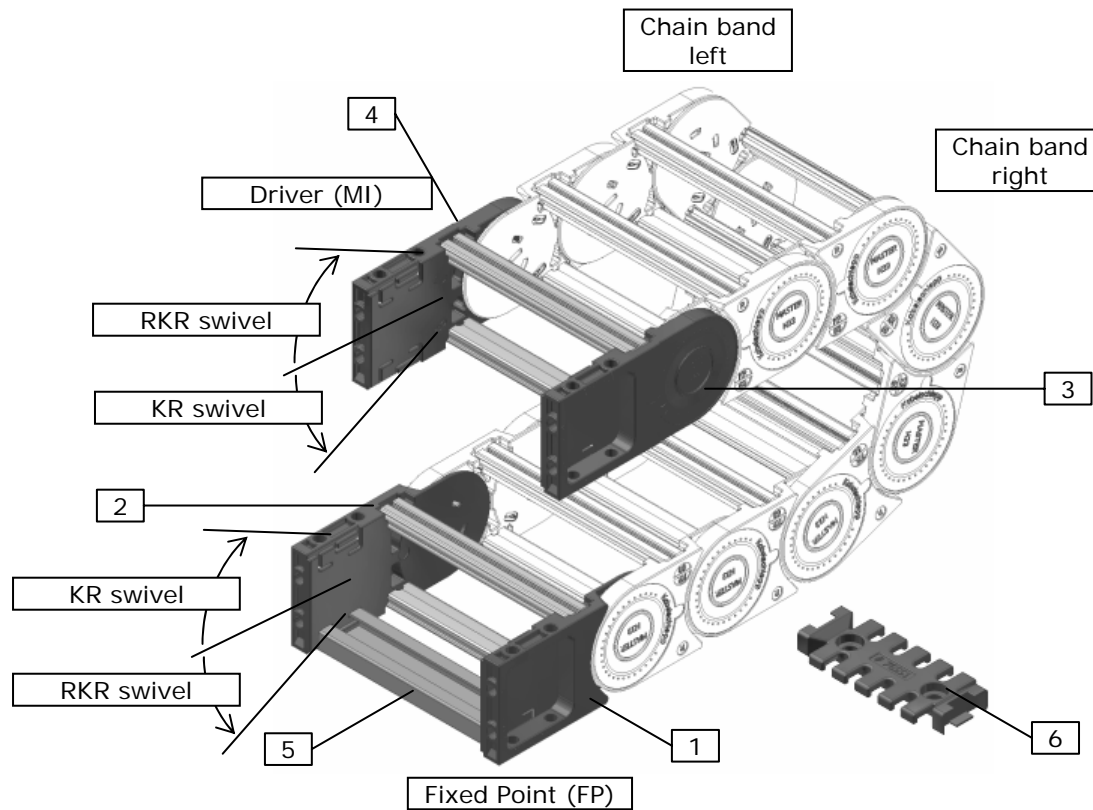
Remarks: Minimum bending radius for use with plastic covers: $KR_{\min}=100\text{mm}$

⁸ Material number for 1 piece chain band mounted, 18 chain links=1008 mm

⁹ Please indicate length at order, L=Bi-0.5mm, Bi≤400mm

¹⁰ Please indicate length at order, max. 3m

¹¹ Chamber width=width-8mm, thickness: 4mm



Item	Description / Remarks	KR swivel (Standard)	RKR swivel
1	End connector H33, closed FP right	76305	76309
2	End connector H33, closed FP left	76306	76310
3	End connector H33, closed MI right	76303	76307
4	End connector H33, closed MI left	76304	76308

Item	Description / Remarks	Material number
5	Retaining profile 25x10 series 0600 St, length=Bi+4mm	3931
No pic.	Strain relief H33/46 Bi 050	76550
6	Strain relief H33/46 Bi 075	76551
No pic.	Strain relief H33/46 Bi 100	76552
No pic.	Strain relief H33/46 Bi 125	76553
No pic.	Strain relief H33/46 Bi 150	76554

Remarks:

- Open end connectors are optional.