

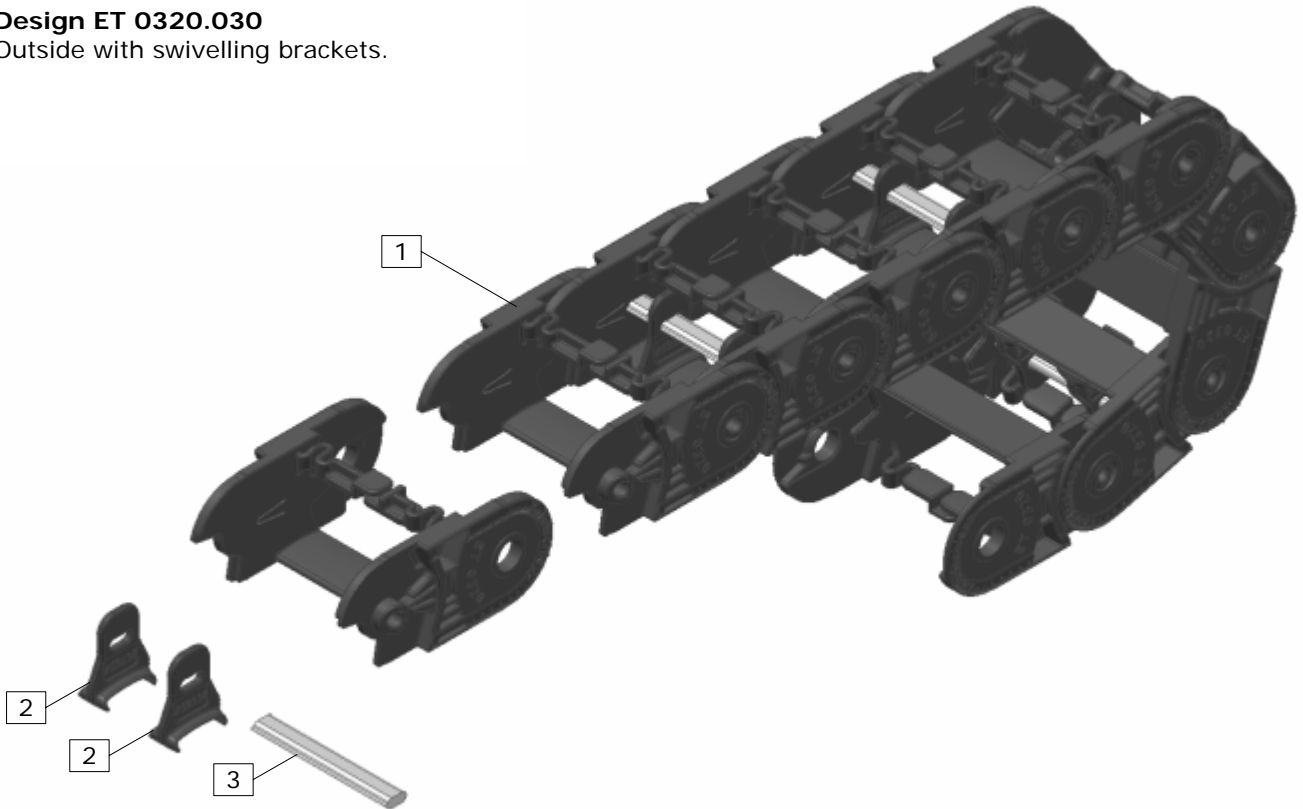
BASIC-LINE^{PLUS}

Cable carriers with lamella crossbars

EasyTrax ET 0320

Type	Page
ET 0320.030	2
ET 0320.040	3
Connecting pieces ET 0320	4

Design ET 0320.030
 Outside with swivelling brackets.



Item	Description	KR 28	KR 38	KR 48	KR 75	KR 100	KR 125
1 ¹	EFK ET 0320.030.015	59057	59058	59059	59060	59061	59062
	EFK ET 0320.030.025	59015	59016	59017	59018	59019	59020
	EFK ET 0320.030.038	59045	59046	59047	59048	59049	59050
	EFK ET 0320.030.050	59069	59070	59071	59072	59073	59074

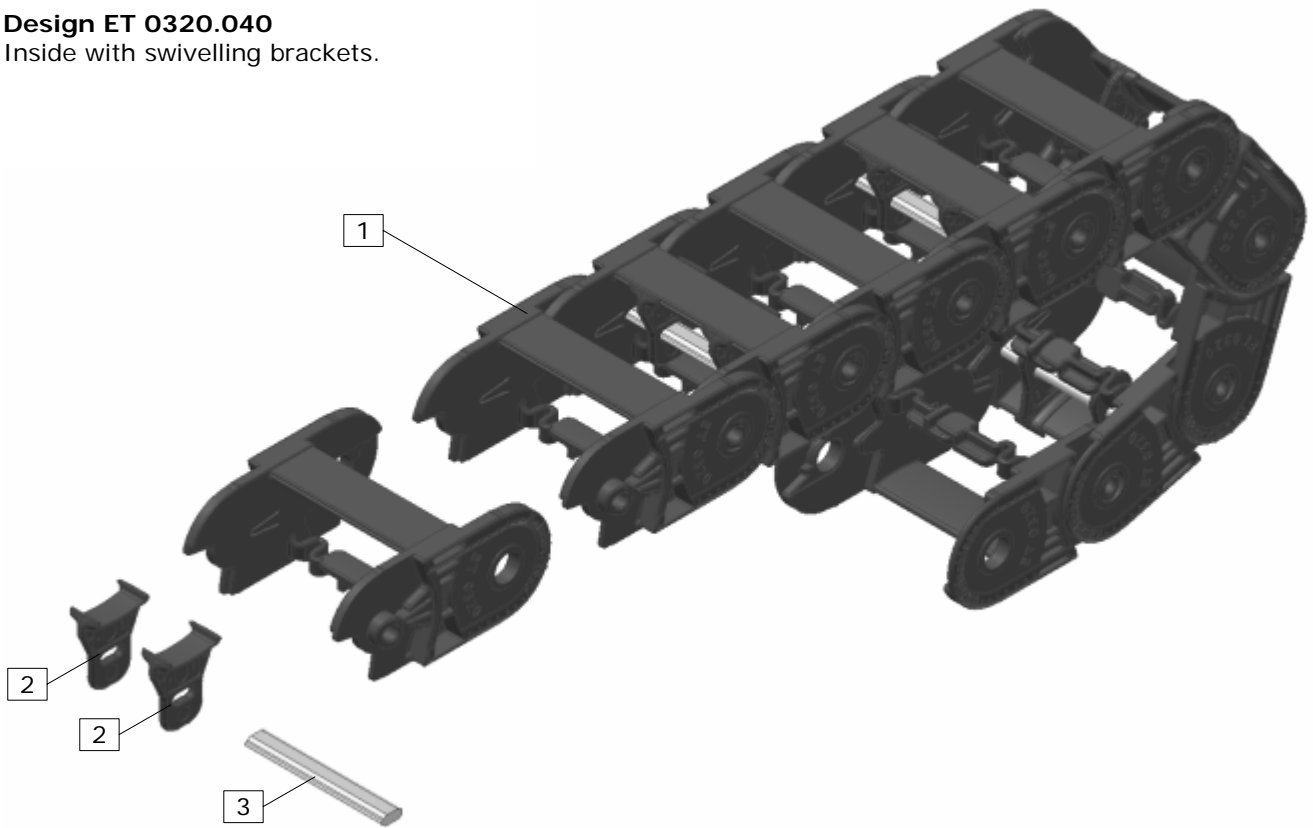
Item	Description / Remarks	Material No.
2	Divider ET/QT 0320 Standard / TS0 and TS1, S _T =2mm	59116
3	Alu Flat profile / 6x2.4mm for continuous height separation TS1, L=B ₁ ²	5801

¹ Material number for 1 piece cable carrier, without connecting pieces, 31 chain links=992mm

² Please indicate length at order

Design ET 0320.040

Inside with swivelling brackets.

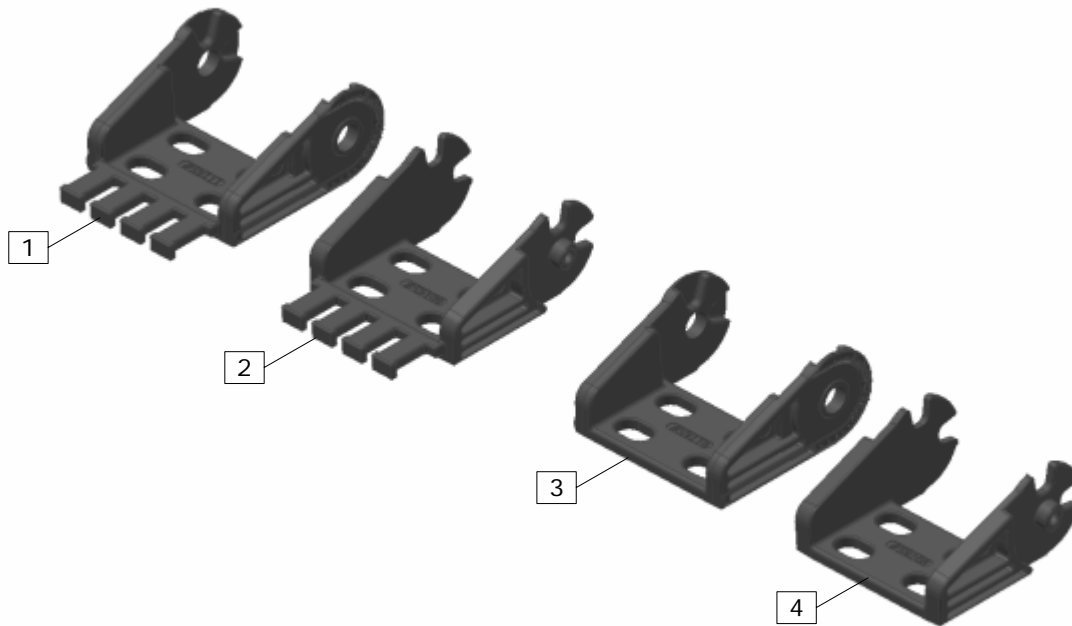


Item	Description	KR 28	KR 38	KR 48	KR 75	KR 100	KR 125
1 ³	EFK ET 0320.040.015	59063	59064	59065	59066	59067	59068
	EFK ET 0320.040.025	59021	59022	59023	59024	59025	59026
	EFK ET 0320.040.038	59051	59052	59053	59054	59055	59056
	EFK ET 0320.040.050	59075	59076	59077	59078	59079	59080

Item	Description / Remarks	Material No.
2	Divider ET/QT 0320 Standard / TS0 and TS1 $S_T=2\text{mm}$	59116
3	Alu Flat profile / 6x2.4mm for continuous height separation TS1, $L=B_i$ ⁴	5801

³ Material number for 1 piece cable carrier, without connecting pieces, 31 chain links=992mm

⁴ Please indicate length at order



Item	Description	Bi 15	Bi 25	Bi 38	Bi 50
1	Connecting piece ET/QT 0320 MN ZL	59103	59107	59111	59115
2	Connecting piece ET/QT 0320 FP ZL	59101	59105	59109	59113
3	Connecting piece ET/QT 0320 MN	59102	59106	59110	59114
4	Connecting piece ET/QT 0320 FP	59100	59104	59108	59112

Remarks:

- Connecting pieces made of plastic
- MN: Connecting piece Driver
- FP: Connecting piece Fixed Point
- ZL: with integrated strain relief