

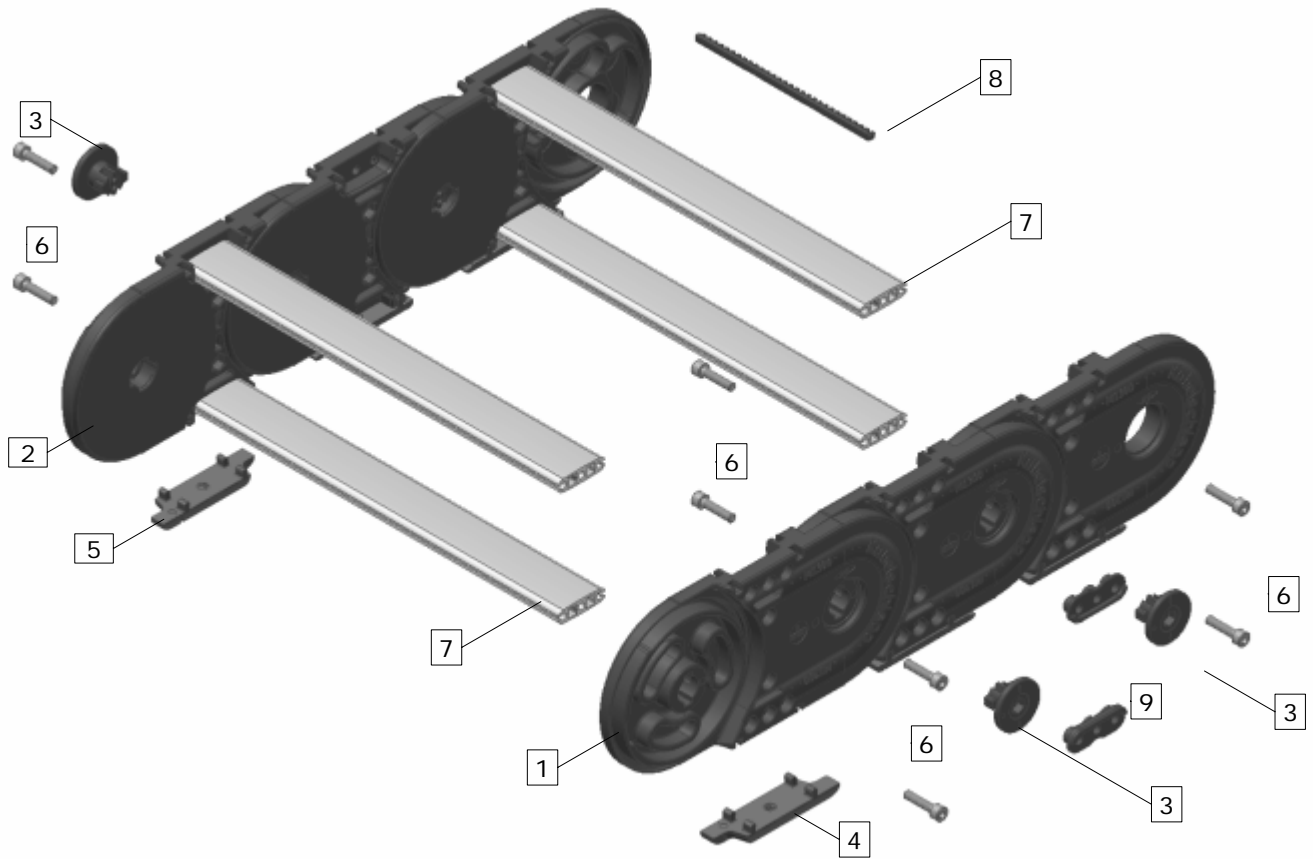
KABELSCHLEPP GmbH
 Daimlerstraße 2
 D-57482 Wenden-Gerlingen
 Fon: +49 2762 4003-0
 Fax: +49 2762 4003-220
 E-mail: info@kabelschlepp.de
 kabelschlepp.de

VARIO-LINE

Plastic cable carriers with variable carrier width

M-Series Type M 1300

Type	Page
MC 1300 RMF	2
MC 1300 RMS	3
MC 1300 RM	4
MC 1300 LG	5
MT 1300 RMD	6
Divider systems for M 1300	7
Connectors M 1300	8



Item	Description	KR 150	KR 195	KR 240	KR 280	KR 320	KR 360	KR 400	KR 500
1	Chain plate Form E right	55243	55245	55247	55249	55251	55253	55255	55257
2	Chain plate Form E left	55215	55217	55219	55221	55223	55225	55227	55229
1	Chain plate Form E right without pretension ¹	- ²	-	55259	55261	55263	55265	-	-
2	Chain plate Form E left without pretension ¹	-	-	55235	55237	55239	55241	-	-

Item	Description	RKR 150	RKR 195	RKR 240	RKR 280	RKR 320	RKR 360	RKR 400	RKR 500
1	Chain plate Form E right	- ²	- ²	55324	- ²	55326	55330	- ²	55332
2	Chain plate Form E left	- ²	- ²	55323	- ²	55327	55329	- ²	55331

Item	Description / Remarks	Mat.-Nr.
3	Locking bolt	71412
4	Sliding shoe right	55107
5	Sliding shoe left	55106
6	Spiral form screw M6x25	22061
7	Frame stay profile RMF / L=B ₁ +24mm	5856
8	Fixing profile / to fix dividers at grid 5mm, L=150mm	55105
9	M1300 multi band adapter / for multi band applications	55116

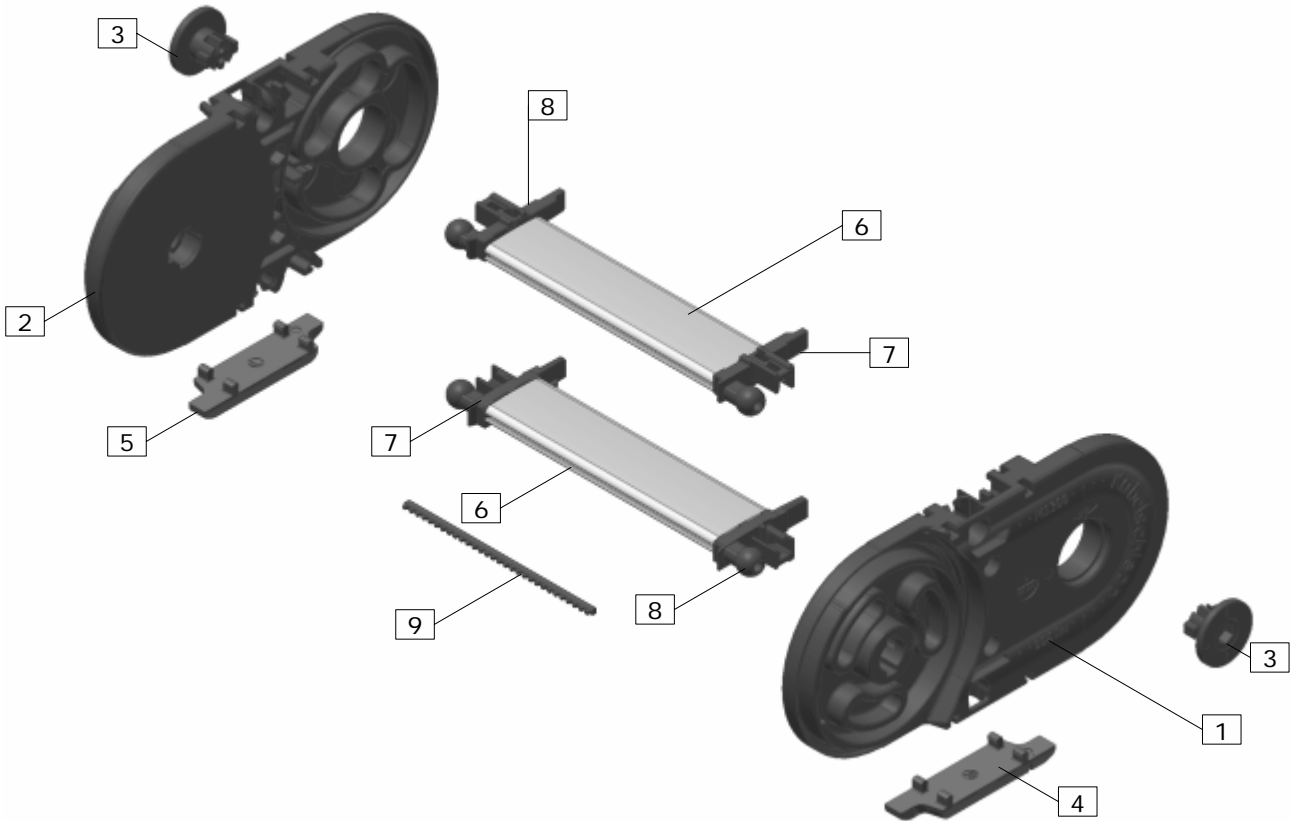
Remarks:

- For divider systems see page 7.

¹ For sliding applications

² On request

MC 1300 RMS



Item	Description	KR 150	KR 195	KR 240	KR 280	KR 320	KR 360	KR 400	KR 500
1	Chain plate Form C right	55286	55288	55290	55292	55294	55296	55298	55300
2	Chain plate Form C links	55285	55287	55289	55291	55293	55295	55297	55299
1	Chain plate Form C right without pretension ¹	- ²	- ²	55302	- ²	55306	55308	- ²	55334
2	Chain plate Form C links without pretension ¹	- ²	- ²	55301	- ²	55305	55307	- ²	55333

Item	Description	RKR 150	RKR 195	RKR 240	RKR 280	RKR 320	RKR 360	RKR 400	RKR 500
1	Chain plate Form C right	- ²	- ²	55336	- ²	55340	55342	- ²	55344
2	Chain plate Form C left	- ²	- ²	55335	- ²	55339	55341	- ²	55343

Item	Description / Remark	Mat.-Nr.
3	Locking bolt	71412
4	Sliding shoe right	55107
5	Sliding shoe left	55106
6	Frame stay profile RMF / L=B _i -16mm	5856
7	Adapter M1300 right/ already fixed to the frame stay profile	72503
8	Adapter M1300 left / already fixed to the frame stay profile	72502
9	Fixing profile / to fix dividers at grid 5mm, L=150mm	55105

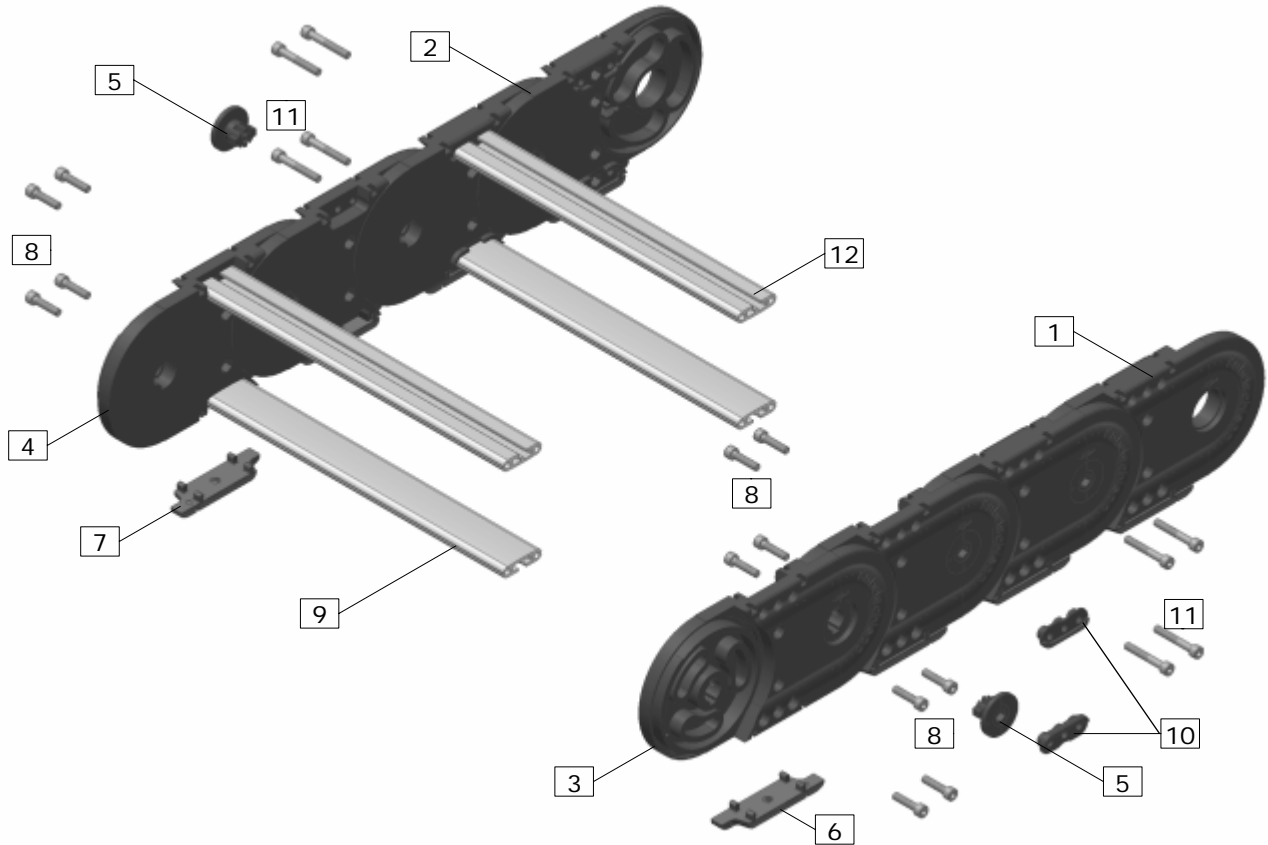
Remarks:

- For divider systems see page 7.

¹ For sliding applications

² On request

MC 1300 RM



Item	Description	KR 150	KR 195	KR 240	KR 280	KR 320	KR 360	KR 400	KR 500
1	Chain plate Form B right	55244	55246	55248	55250	55252	55254	55256	55258
2	Chain plate Form B left	55216	55218	55220	55222	55224	55226	55228	55230
1	Chain plate Form B right without pretension ¹	– ²	– ²	55260	55262	55264	55266	– ²	– ²
2	Chain plate Form B left without pretension ¹	– ²	– ²	55236	55238	55240	55242	– ²	– ²
3	Chain plate Form E right	55243	55245	55247	55249	55251	55253	55255	55257
4	Chain plate Form E left	55215	55217	55219	55221	55223	55225	55227	55229
3	Chain plate Form E right without pretension ¹	– ²	– ²	55259	55261	55263	55265	– ²	– ²
4	Chain plate Form E left without pretension ¹	– ²	– ²	55235	55237	55239	55241	– ²	– ²

Item	Description / Remarks	Mat.-Nr.
5	Locking bolt	71412
6	Sliding shoe right	55107
7	Sliding shoe left	55106
8	Spiral form screw M6x25 / with chain plate Form E	22061
9	Frame stay profile RM, L=B _i +24mm with chain plate Form E	5830
10	M1300 Adapter / for multi band applications	55116
11	Spiral form screw M6x40 / with chain plate Form B	22062
12	Frame stay profile RM, L=B _i with chain plate Form B	5830

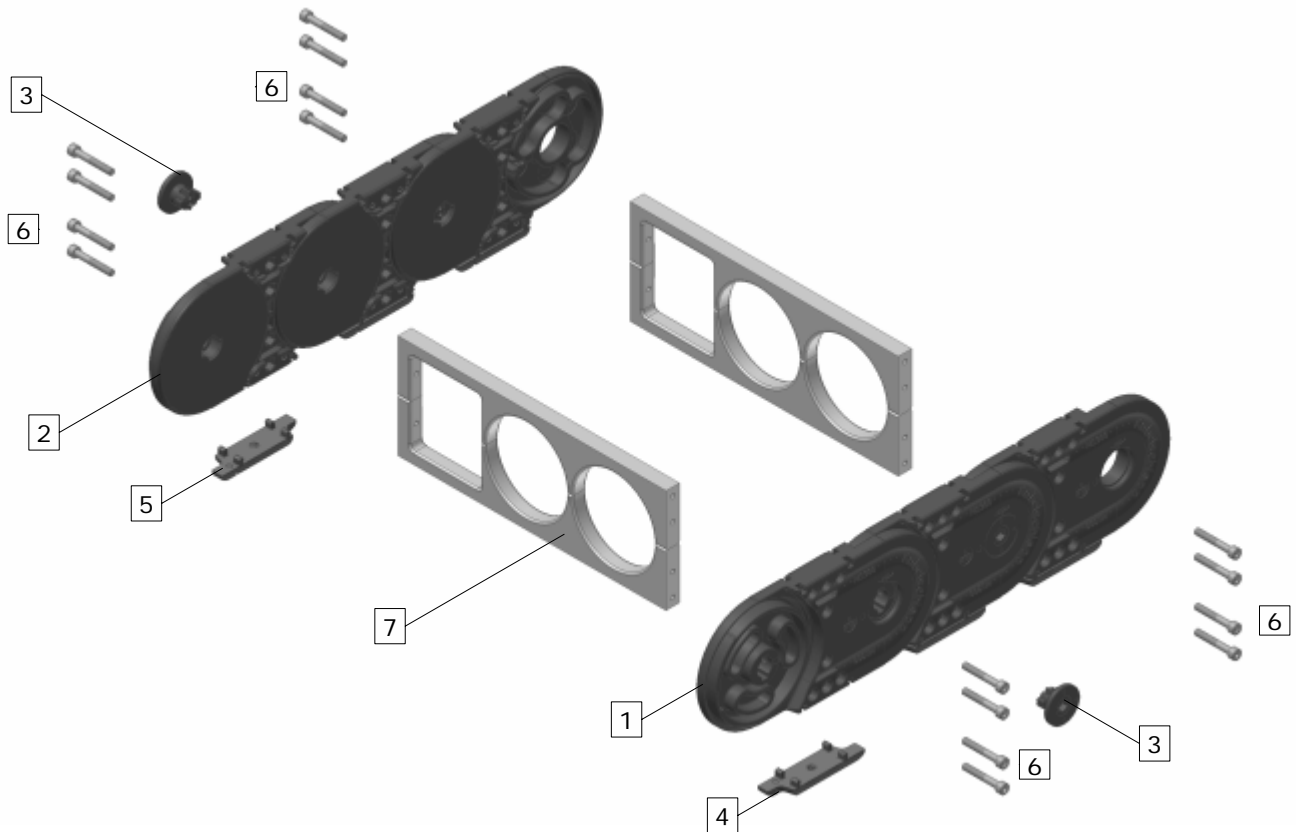
Remarks:

- For divider systems see page 7.
- For the double screwing the appropriate holes of the chain plates are to be opened.
- Material numbers for RKR-chain plates see pages 2 and 5, respectively.

¹ For sliding applications

² On request

MC 1300 LG



Item	Description	KR 150	KR 195	KR 240	KR 280	KR 320	KR 360	KR 400	KR 500
1	Chain plate Form B right	55244	55246	55248	55250	55252	55254	55256	55258
2	Chain plate Form B left	55216	55218	55220	55222	55224	55226	55228	55230
1	Chain plate Form B right without pretension ¹	- ²	- ²	55260	55262	55264	55266	- ²	- ²
2	Chain plate Form B left without pretension ¹	- ²	- ²	55236	55238	55240	55242	- ²	- ²

Item	Remarks	RKR 150	RKR 195	RKR 240	RKR 280	RKR 320	RKR 360	RKR 400	RKR 500
1	Chain plate Form B right	- ²	- ²	55324	- ²	55328	55330	- ²	55332
2	Chain plate Form B left	- ²	- ²	55323	- ²	55327	55329	- ²	55331

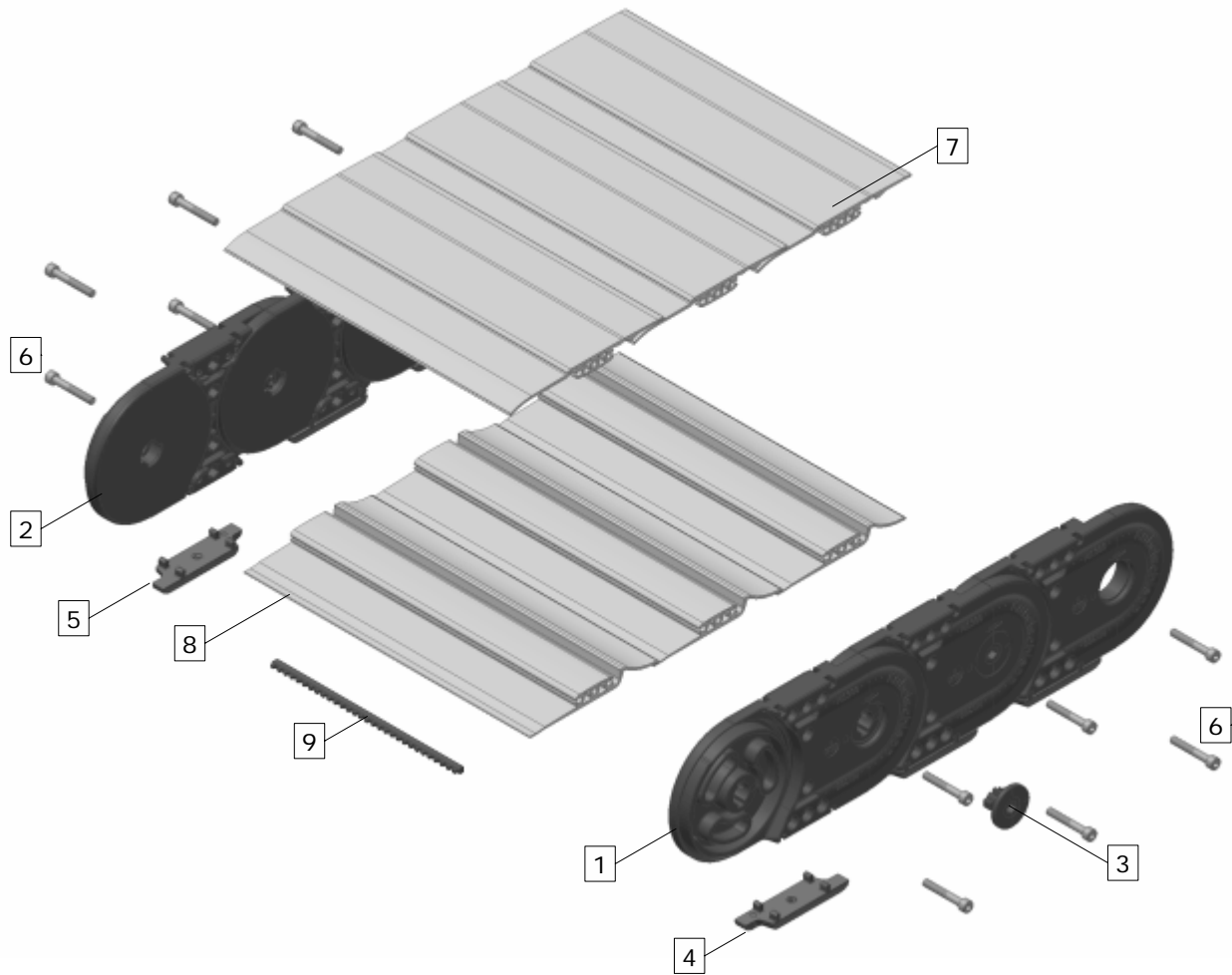
Item	Description / Remarks	Mat.-Nr.
3	Locking bolt	71412
4	Sliding shoe right	55107
5	Sliding shoe left	55106
6	Spiral form screw M6x40	22062
7	Al-flat profile 15x62 / for split hollow stay, L=B _i , max. 31nm ³ Hole pattern per order, processing on 15x58 necessary	5310

Subject to change.

¹ For sliding applications

² On request

³ Please indicate length at order

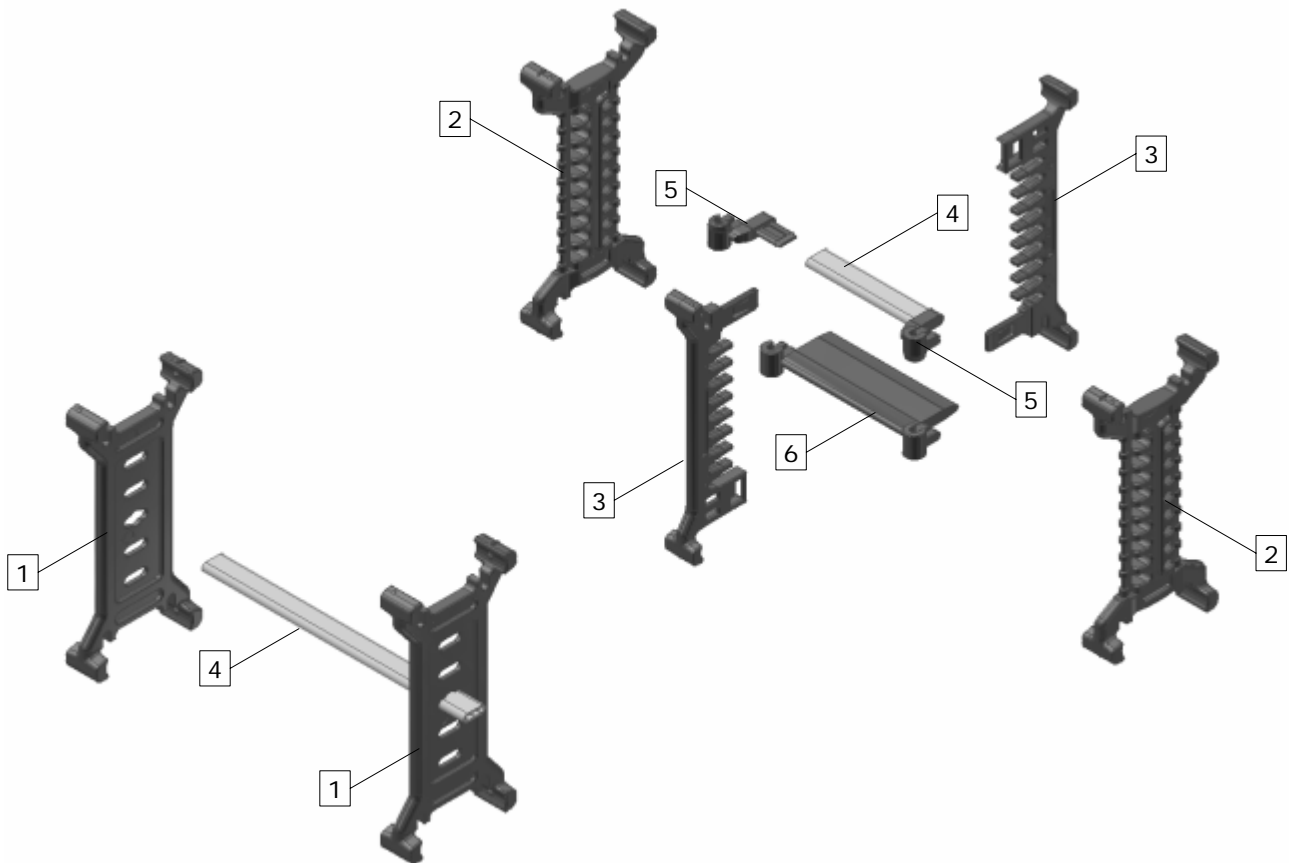


Item	Description	-	-	KR 240	KR 280	KR 320	KR 360	KR 400	KR 500
1	Chain plate Form B right	-	-	55248	55250	55252	55254	55256	55258
2	Chain plate Form B left	-	-	55220	55222	55224	55226	55228	55230

Item	Description / Remarks	Mat.-Nr.
3	Locking bolt	71412
4	Sliding shoe right	55107
5	Sliding shoe left	55106
6	Spiral form screw M6x40	22062
7	Aluminium cover, outside / L=B ₁	5842
8	Aluminium cover, inside / L=B ₁	5844
9	Fixing profile / to fix dividers at grid 5mm, L=150mm	55105

Remarks:

- For divider systems see page 7.
- KR_{min}=240mm.



Item	Description / Remarks	Mat.-No.
1	M1300 divider Standard / for divider systems TS0 und TS1; $S_T=5\text{mm}$	55100
2	M1300 divider shelves system / for divider system TS3; $S_T=8\text{mm}$	55101
3	M1300 Twin divider/ 2-piece, for divider system TS3; $S_T=5\text{mm}$	55114
4	Al-hollow profile 11x4, for height separation, max. 3l _m ¹ .	5803
5	Adapter for horizontal divider / with Al-hollow profile Pos. 4 and divider Pos. 2 ^{2,3}	72500

Item	Plastic horizontal divider for height separation with divider item 2 ³								
6	center-to-center a_x	16	18	23	28	32	33	38	43
	Material number	71514	52580	52581	52582	71515	52583	52584	52585
	center-to-center a_x	48	58	64	68	78	80	88	96
	Material number	71516	52587	71517	52588	52589	71518	52590	71519
	center-to-center a_x	112	128	144	160	176	192	208	-
	Material number	71520	71521	71522	71523	71524	71525	71526	-

Remarks:

- Divider systems for stay variants RMF, RMS, RM and RMD.

¹ Please indicate length at order

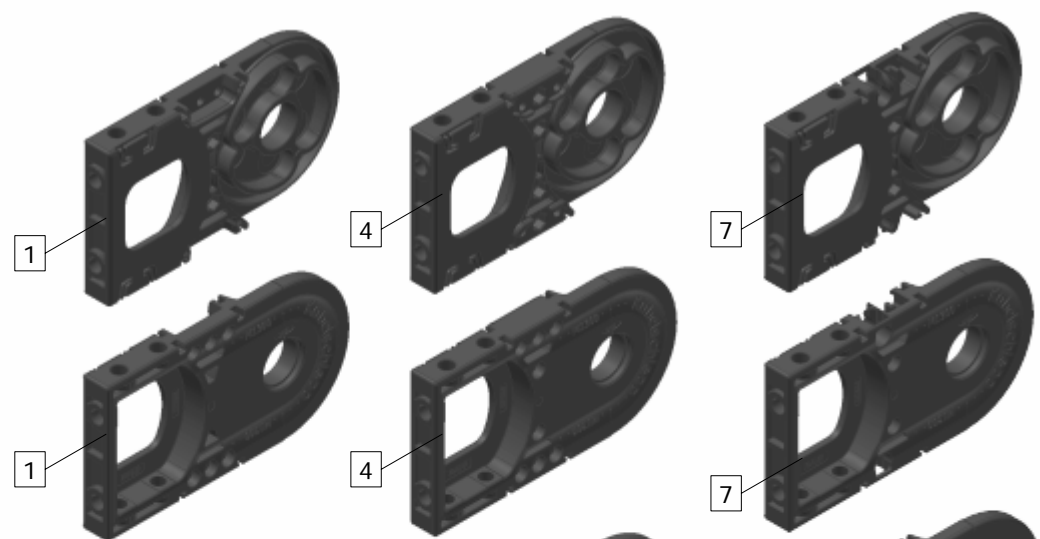
² $L(\text{Al-hollow profile})=a_x-18\text{mm}$, $a_{x,\text{min}}=42\text{mm}$

³ Chamber width= $a_x-8\text{mm}$, thickness=4mm, a_x : center-to-center dividers

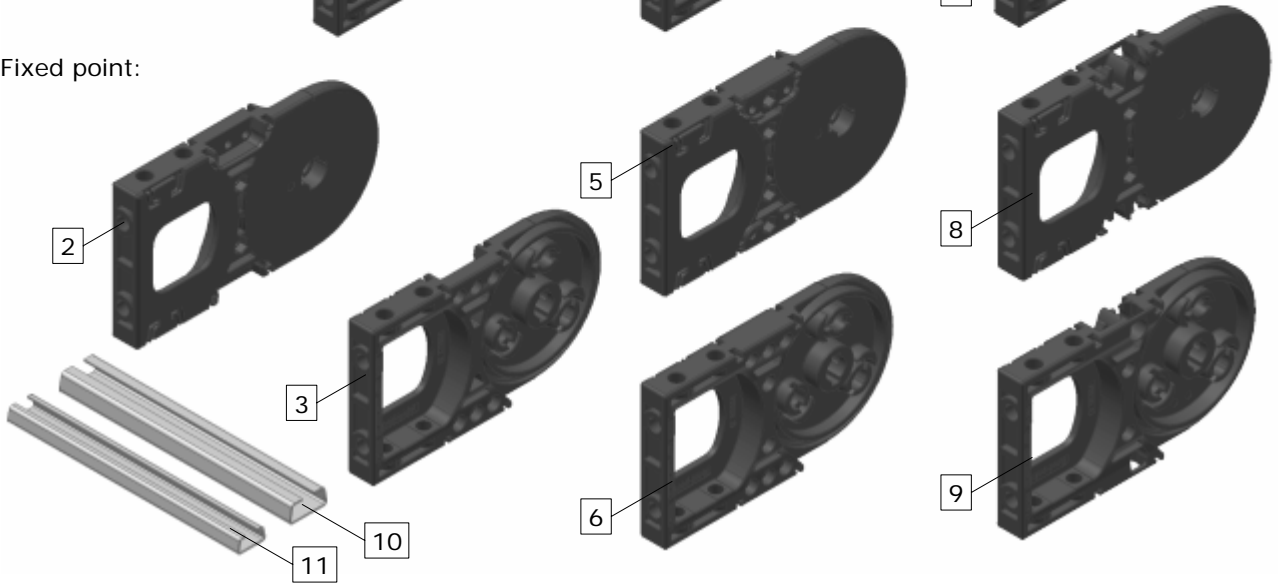
Connectors M 1300

The power to innovate

Driver:



Fixed point:



Item	Description / Remarks	Mat.-No.
1	M1300 UMB Form E Driver / for left and right side band, made of plastic	55111
2	M1300 UMB Form E Fixed Point left / made of plastic	55113
3	M1300 UMB Form E Fixed Point right / made of plastic	55112
4	M1300 UMB Form B Driver/ for left and right side band, made of plastic	55103
5	M1300 UMB Form B Fixed Point left / made of plastic	55102
6	M1300 UMB Form B Fixed Point right / made of plastic	55108
7	M1300 UMB Form C Driver/ for left and right side band, made of plastic	55282
8	M1300 UMB Form C Fixed Point left / made of plastic	55280
9	M1300 UMB Form C Fixed Point right / made of plastic	55281
10	Strain relief series 0900/1200 Steel galv. / 35x15x1,5mm, length=B _i +6mm	3932
	Strain relief series 0900/1200 Aluminium/ 35x15x1,5mm, length=B _i +6mm	3926
11	Strain relief 25x12x1,5 / Steel galv., length=B _i +6mm	3934

Function of UMBs:

UMB	Side of chain band	UMB swivel in direction
Driver	Left + Right	KR (Standard)
Fixed Point left	Left	KR (Standard)
Fixed Point left	Right	RKR
Fixed Point right	Left	RKR
Fixed Point right	Right	KR (Standard)

Subject to change.

IDEAS AROUND THE MACHINE

CABLE CARRIER SYSTEMS

Cable carriers made of steel and plastic
QUANTUM cable and hose carrier system
PROTUM cable and hose carrier system
PROFILE cable and hose carrier system
ROBOTRAX cable and hose carrier system

LIFE-LINE Safety Cables

Continuous bending hi-flex cables for cable carrier
TOTALTRAX complete turn-key carrier systems
Pre-assembled cables

KABELSCHLEPP GmbH

Daimlerstraße 2
D-57482 Wenden-Gerlingen
Fon: +49 2762 4003-0
Fax: +49 2762 4003-220
E-mail: info@kabelschlepp.de
kabelschlepp.de

GUIDEWAY PROTECTION SYSTEMS

Telescopic covers
Link apron covers
Way wipes
Conical spring covers
Bellows
Protective devices

CONVEYOR SYSTEMS

Hinged belt conveyors
Scraper conveyors
Belt conveyors

KABELSCHLEPP worldwide

For contacts, addresses and
much more, visit our web side at
kabelschlepp.de