

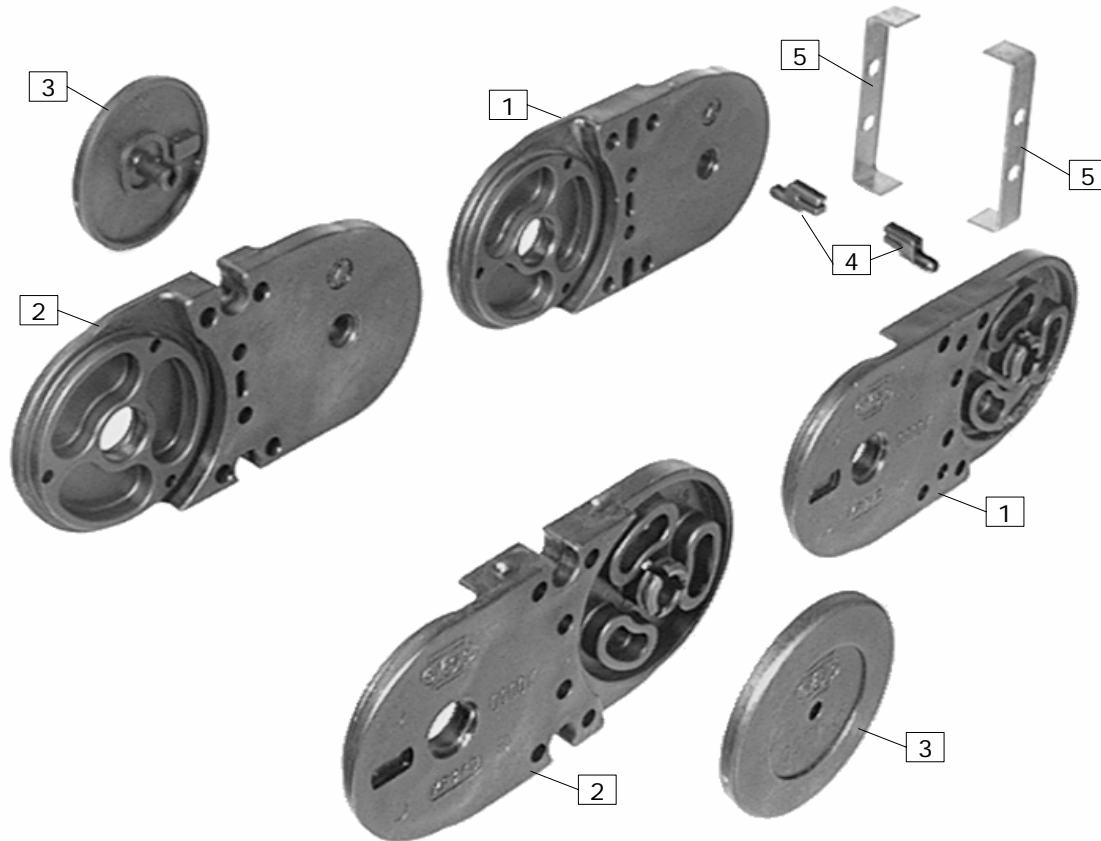
# VARIO-LINE

Plastic cable carriers with variable carrier width

K-Series Type K 0900

Type	Page
KC 0900 RS, RV, RM, RMR, RMA, LG .....	2
KE 0900 RE .....	5
Connecting pieces.....	7

K 0900 Chain band + Accessories:



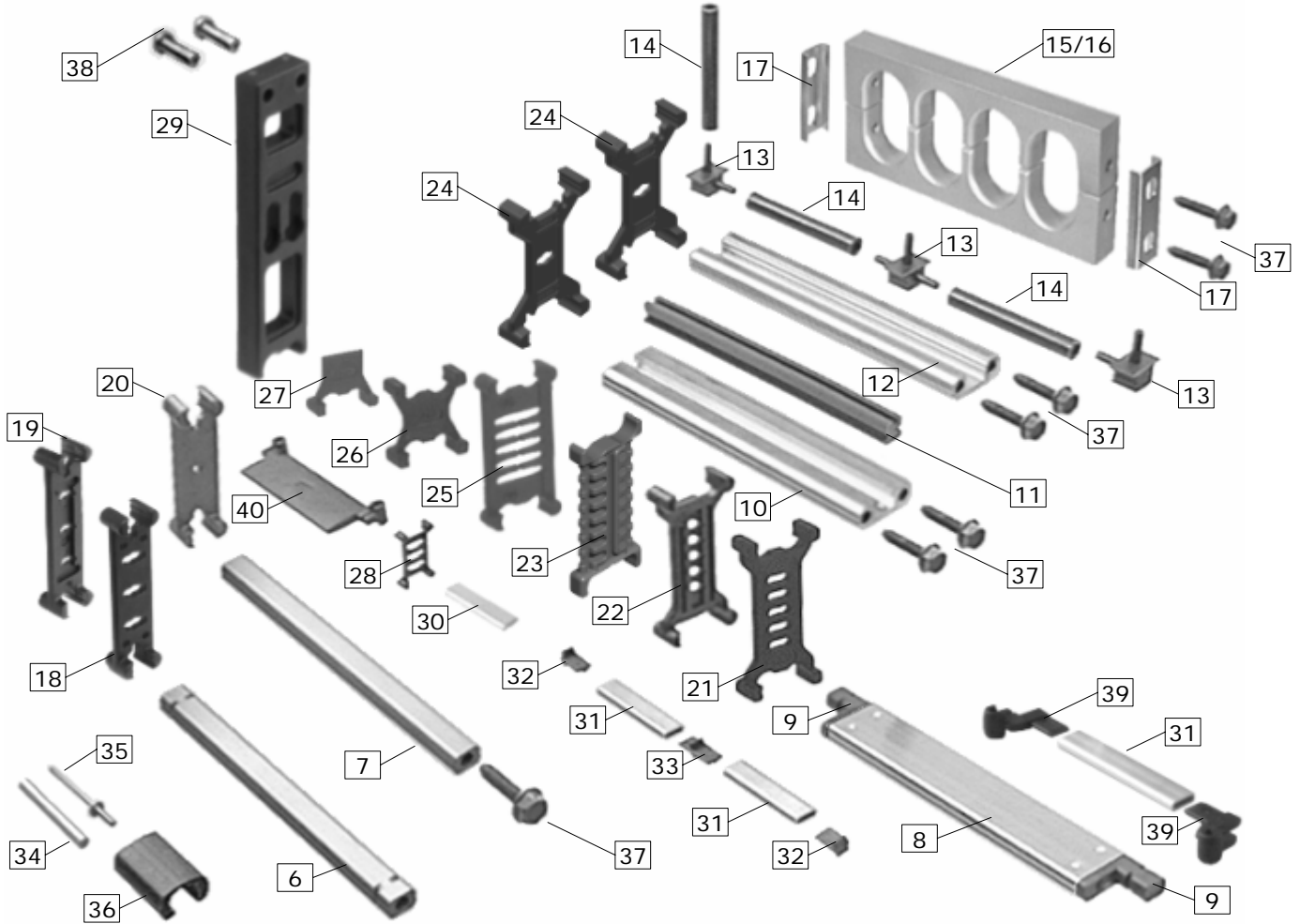
Mat.-No.:

Item	Description	KR 130	KR 150	KR 190	KR 245	KR 300	KR 385	RKR 300	RKR 500
1+2	Chain band A <sup>1</sup> A + B in alternation	52020	52025	52028	52036	52044	52052	52057	52058
1+1	Chain band B <sup>1</sup> Only Plates A	52024	52026	52032	52040	52048	52056	-	-
2+2	Chain band C <sup>1</sup> Only Plates B	52021	52027	52029	52037	52045	52053	-	-

Item	Description / Remarks	Mat.-No.
3	Sliding disc / Plastic	51976
No Pic.	Sliding disc / as item 3, made of high abrasion resistant PA	51975
4	Steel band holder / Plastic	51955
5	Steel band holder / Steel	51956

<sup>1</sup> Chain band: 12 links=1080 mm long

K 0900 Stay systems:



Item	Al profile bar (11.8mm) for stay variant RS								
6	<b>Bi</b>	<b>100</b>	<b>109</b>	<b>125</b>	<b>134</b>	<b>139</b>	<b>147</b>	<b>150</b>	<b>159</b>
	Bk=BSt=	131	140	156	165	170	178	181	190
	Material-No.	52099	52100	52101	52102	52098	52103	52111	52104
	<b>Bi</b>	<b>162</b>	<b>175</b>	<b>184</b>	<b>200</b>	<b>209</b>	<b>234</b>	<b>250</b>	<b>259</b>
	Bk=BSt=	193	206	215	231	240	265	281	290
	Material-No.	52105	52113	52106	52107	52108	52110	52109	52112
	<b>Bi</b>	<b>284</b>	<b>300</b>	<b>309</b>	<b>316</b>	<b>350</b>	<b>359</b>	<b>361</b>	<b>370</b>
	Bk=BSt=	315	331	340	347	381	390	392	401
	Material-No.	52114	52115	52116	52128	52122	52118	52117	52119
	<b>Bi</b>	<b>382</b>	<b>396</b>	<b>400</b>	<b>406</b>	<b>409</b>	<b>410</b>	<b>411</b>	<b>459</b>
	Bk=BSt=	413	427	431	437	440	441	442	490
	Material-No.	52129	52123	52121	52126	52124	52120	52130	52131

Item	Description / Remarks	Mat.-No.
7	Al frame stay profile / for stay variant RS screwed, max. 3lnm <sup>1</sup>	5818
8	Al frame stay profile / for stay variant RV, max. 3lnm <sup>1</sup>	5813
9	Plastic adapter for Al profile item 8 / already fixed	72495
10	Al solid frame stay profile / for stay variant RM, max. 3lnm <sup>1</sup>	5823
11	Insert profile / plastic, for Al profile item 10, max. 3lnm <sup>1</sup>	6250
12	Al profile / For stay variant RMR (Roller stay), max. 3lnm <sup>1</sup>	5832

<sup>1</sup> Please indicate length per order.

Item	Description / Remarks	Mat.-No.
13	Adapter / Plastic, for roller stay, pins of end adapters must be removed	72494
14	Hollow stay / Plastic, for roller stay (even as divider H=46.5), max. 3lnm <sup>1</sup>	5831
15	Al flat profile / 15x34, for split hole stay (LG), L=Bi-2mm, holes per order, max. 3lnm <sup>1</sup>	5270
16 no pic.	Al flat profile / 15x68, for unsplit hole stay, L=Bi, holes per order, max. 3lnm <sup>1</sup>	5320
17	Clamp / Steel, for split hole stay	5210
18	Divider / for variant RS, S <sub>T</sub> =4mm, H=74mm, for continuous height separation with Al-hollow profile	51970
19	Divider / for RS stay variant TS2	51971
20	Divider / for RS with screwed profile bars, S <sub>T</sub> =4mm, H=62mm	42160
21	Divider / for RV, Standard, S <sub>T</sub> =4mm	71301
22	Divider / for RV, for height separation with Al hollow profiles, S <sub>T</sub> =6mm	71300
23	Divider / RV, for height separation with plastic horizontal dividers, S <sub>T</sub> =8mm	71512
24	Divider / for variant RM and for RMA, S <sub>T</sub> =4mm	51960
25	Twin divider / within height separation with plastic horizontal dividers	71549
26	Half divider / for height separation with frame stay RV	71489
27	Half divider / within height separation with frame stay RV	71491
28	Divider / within height separation, without nose, S <sub>T</sub> =2mm	54490
29	Mounting stay / for variant RMA, H <sub>i,2</sub> : 130mm (from KR 150)	50004
	Combination of RV and RM, H <sub>i,2</sub> : 160mm (from KR 190)	50005
	S <sub>T</sub> =15mm H <sub>i,2</sub> : 200 mm (from KR 245)	50006
30	Al flat profile / 9x2, for height separation, L=Bi-1mm, max. 3lnm <sup>1</sup>	6240
31	Al hollow profile / 11x4, for height separation, max. 3lnm <sup>1</sup>	5803
32	Insert part single sided / for Al hollow profile item 31	71250
33	Insert part double sided / for Al hollow profile item 31	71255
34	Steel tube / Ø5x0.75, for height separation of RS, max. 2lnm <sup>1</sup>	6998
35	Rivet / Ø3x10, for steel tube	29344
36	Nozzle / Plastic, L=33.5mm, for variant RS	6036
37	Spiral screw / M6x25, for screwed profile bars, steel band holder made of steel and split hole stays	22000
38	Oval head cap screw / M6x25	22225
39	Adapter for horizontal divider <sup>2</sup> / with Al hollow profile item 31 and divider item 23	72500
no pic.	Assembly key / steel, for profile bars	16090

Item	Plastic horizontal divider for height separation with divider item 23 <sup>3</sup>								
40	<b>Width</b>	<b>16</b>	<b>18</b>	<b>23</b>	<b>28</b>	<b>32</b>	<b>33</b>	<b>38</b>	<b>43</b>
	Material No.	71514	52580	52581	52582	71515	52583	52584	52585
	<b>Width</b>	<b>48</b>	<b>58</b>	<b>64</b>	<b>68</b>	<b>78</b>	<b>80</b>	<b>88</b>	<b>96</b>
	Material No.	71516	52587	71517	52588	52589	71518	52590	71519
	<b>Width</b>	<b>112</b>	<b>128</b>	<b>144</b>	<b>160</b>	<b>176</b>	<b>192</b>	<b>208</b>	–
	Material No.	71520	71521	71522	71523	71524	71525	71526	–

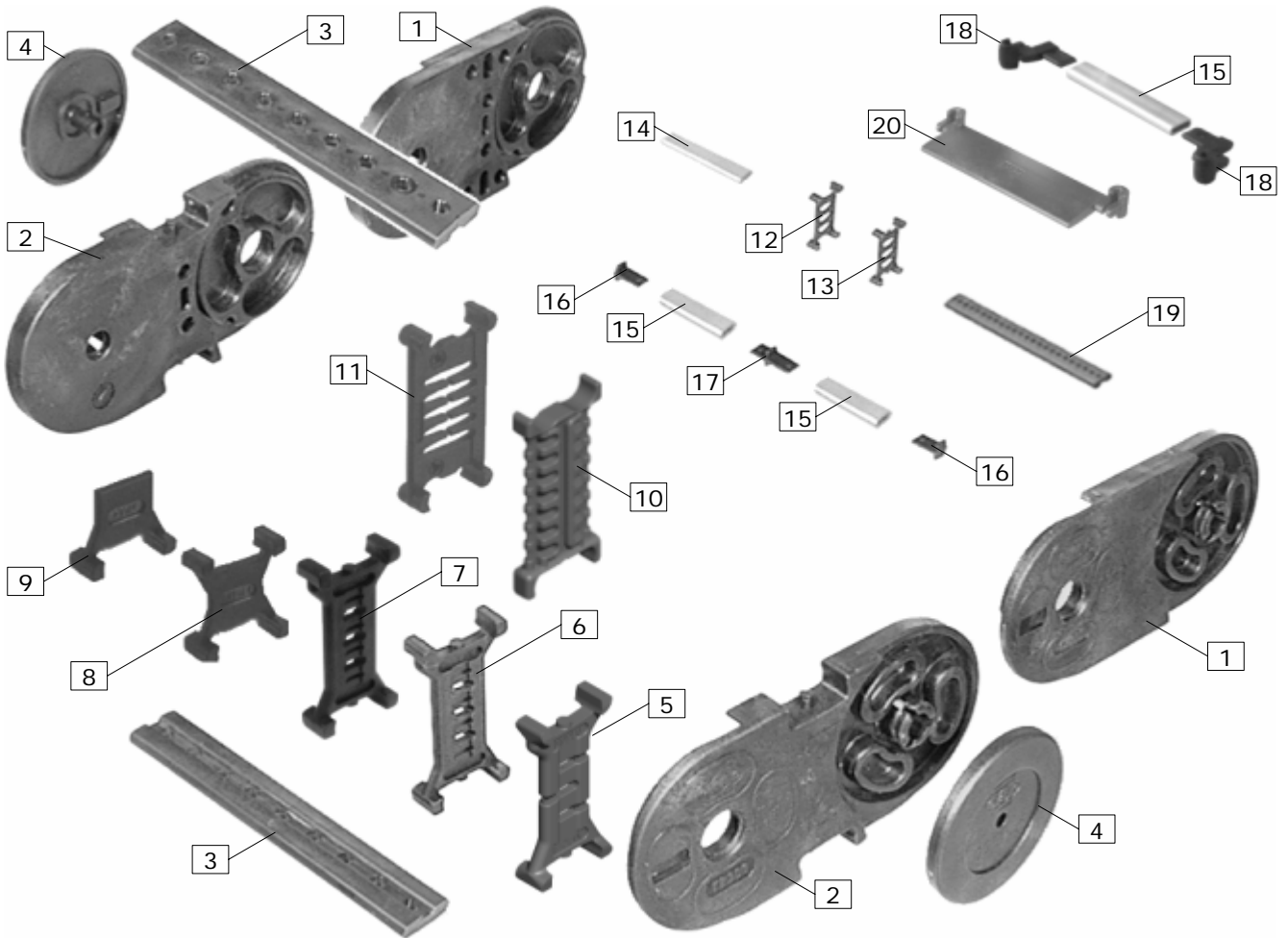
**Remarks:**

- $B_k = B_i + 31\text{mm}$  ( $B_k$ : chain width,  $B_i$ : inside width)
- $B_{EF'} = B_i + 45\text{mm}$  ( $B_{EF'}$ : chain width with sliding discs)

<sup>1</sup> Please indicate length per order.

<sup>2</sup> L(Al- hollow profile)= $a_x - 18\text{mm}$ , chamber width= $a_x - 8\text{mm}$ ,  $a_x$ = centre-to-centre spacing of dividers

<sup>3</sup> Chamber width=Width-8mm, Thickness: 4mm



Mat.-No.:

Item	Description	KR 130	KR 150	KR 190	KR 245	KR 300	KR 385	-	-
1+2	Chain band <sup>1</sup> 1+2 in alternation	51990	51991	51992	51993	51994	51995	-	-

Item	Connecting profile / Plastic for variant RE								
3	<b>Bi=</b>	<b>49</b>	<b>65</b>	<b>81</b>	<b>97</b>	<b>113</b>	<b>129</b>	<b>145</b>	<b>161</b>
	L=Bk=	80	96	112	128	144	160	176	192
	Material-No.	72543	72544	72510	72535	72511	72540	72512	72526
	<b>Bi=</b>	<b>177</b>	<b>193</b>	<b>209</b>	<b>225</b>	<b>241</b>	<b>257</b>	<b>273</b>	<b>289</b>
	L=Bk=	208	224	240	256	272	288	304	320
	Material-No.	72513	72529	72514	72532	72515	72516	72538	72517
	<b>Bi=</b>	<b>305</b>	<b>321</b>	<b>337</b>	<b>353</b>	<b>369</b>	<b>385</b>	<b>401</b>	<b>417</b>
	L=Bk=	336	352	368	384	400	416	432	448
	Material-No.	72524	72525	72518	72527	72528	72519	72530	72531
	<b>Bi=</b>	<b>433</b>	<b>449</b>	<b>465</b>	<b>481</b>	<b>497</b>	<b>513</b>	<b>529</b>	<b>545</b>
	L=Bk=	464	480	496	512	528	544	560	576
	Material-No.	72520	72533	72534	72521	72536	72537	72522	72539
	<b>Bi=</b>	<b>561</b>	-	-	-	-	-	-	-
	L=Bk=	592	-	-	-	-	-	-	-
Material-No.	72523	-	-	-	-	-	-	-	

<sup>1</sup> Chain band assembled: 12 Links=1080mm long

Item	Description / Remarks	Mat.-No.
4	Sliding disc / Plastic	51976
No Pic.	Sliding disk / as item 4, made of high abrasion resistant PA	51975
5	Divider / slitted, $S_T=6\text{mm}$	72506
6	Divider / not slitted, $S_T=6\text{mm}$ , for continuous height separation	72507
7	Divider / as item 6, with hold on both sides, for $B_i > 250\text{mm}$ or with use of hydraulic hoses	72509
8	Half divider / within height separation with plastic connecting profile for variant RE	71487
9	Half divider / for height separation with plastic connecting profile RE	71490
10	Divider / for height separation with plastic horizontal dividers, $S_T=8\text{mm}$	71512
11	Twin divider / within height separation with plastic horizontal dividers	71550
12	Divider / within height separation, without nose, $S_T=2\text{mm}$	54490
13	Divider / within height separation, with nose, $S_T=2\text{mm}$	54492
14	Al flat profile / 9x2, for continuous height separation, $L=B_i-1\text{mm}$ , max. $3\text{Inm}^1$	6240
15	Al hollow profile / 11x4, for height separation, max. $3\text{Inm}^1$	5803
16	Insert part single sided / for Al hollow profile	71250
17	Insert part double sided / for Al hollow profile	71255
18	Adapter for horizontal divider / with Al-profile item 15 and divider item 10	72500

Item	Connecting profile / Plastic for height separation with dividers item 5+6+7								
19	<b>L =</b>	<b>20</b>	<b>24</b>	<b>28</b>	<b>32</b>	<b>36</b>	<b>40</b>	<b>44</b>	<b>48</b>
	Material-No.	71342	71343	71344	71345	71346	71347	71348	58270
	<b>L =</b>	<b>52</b>	<b>56</b>	<b>60</b>	<b>64</b>	<b>68</b>	<b>72</b>	<b>76</b>	<b>80</b>
	Material-No.	71349	71350	58271	71351	71352	71353	71354	58272
	<b>L =</b>	<b>84</b>	<b>88</b>	<b>92</b>	<b>96</b>	<b>100</b>	<b>104</b>	<b>108</b>	<b>112</b>
	Material-No.	71355	71356	71357	71358	58273	71359	71360	71361
	<b>L =</b>	<b>116</b>	<b>120</b>	<b>124</b>	<b>128</b>	<b>132</b>	<b>136</b>	<b>140</b>	<b>144</b>
	Material-No.	71362	58274	71363	71364	71365	71366	58275	71367
	<b>L =</b>	<b>148</b>	<b>152</b>	<b>156</b>	<b>160</b>	<b>164</b>	<b>168</b>	<b>172</b>	<b>176</b>
	Material-No.	71368	71369	71370	58276	71371	71372	71373	71374
<b>L =</b>	<b>180</b>	<b>184</b>	<b>188</b>	<b>192</b>	<b>196</b>	<b>200</b>	-	-	
Material-No.	71375	71376	71377	71378	71379	71380	-	-	

Item	Plastic horizontal divider for height separation with divider item 10 <sup>2</sup>								
20	<b>Width</b>	<b>16</b>	<b>18</b>	<b>23</b>	<b>28</b>	<b>32</b>	<b>33</b>	<b>38</b>	<b>43</b>
	Material No.	71514	52580	52581	52582	71515	52583	52584	52585
	<b>Width</b>	<b>48</b>	<b>58</b>	<b>64</b>	<b>68</b>	<b>78</b>	<b>80</b>	<b>88</b>	<b>96</b>
	Material No.	71516	52587	71517	52588	52589	71518	52590	71519
	<b>Width</b>	<b>112</b>	<b>128</b>	<b>144</b>	<b>160</b>	<b>176</b>	<b>192</b>	<b>208</b>	-
Material No.	71520	71521	71522	71523	71524	71525	71526	-	

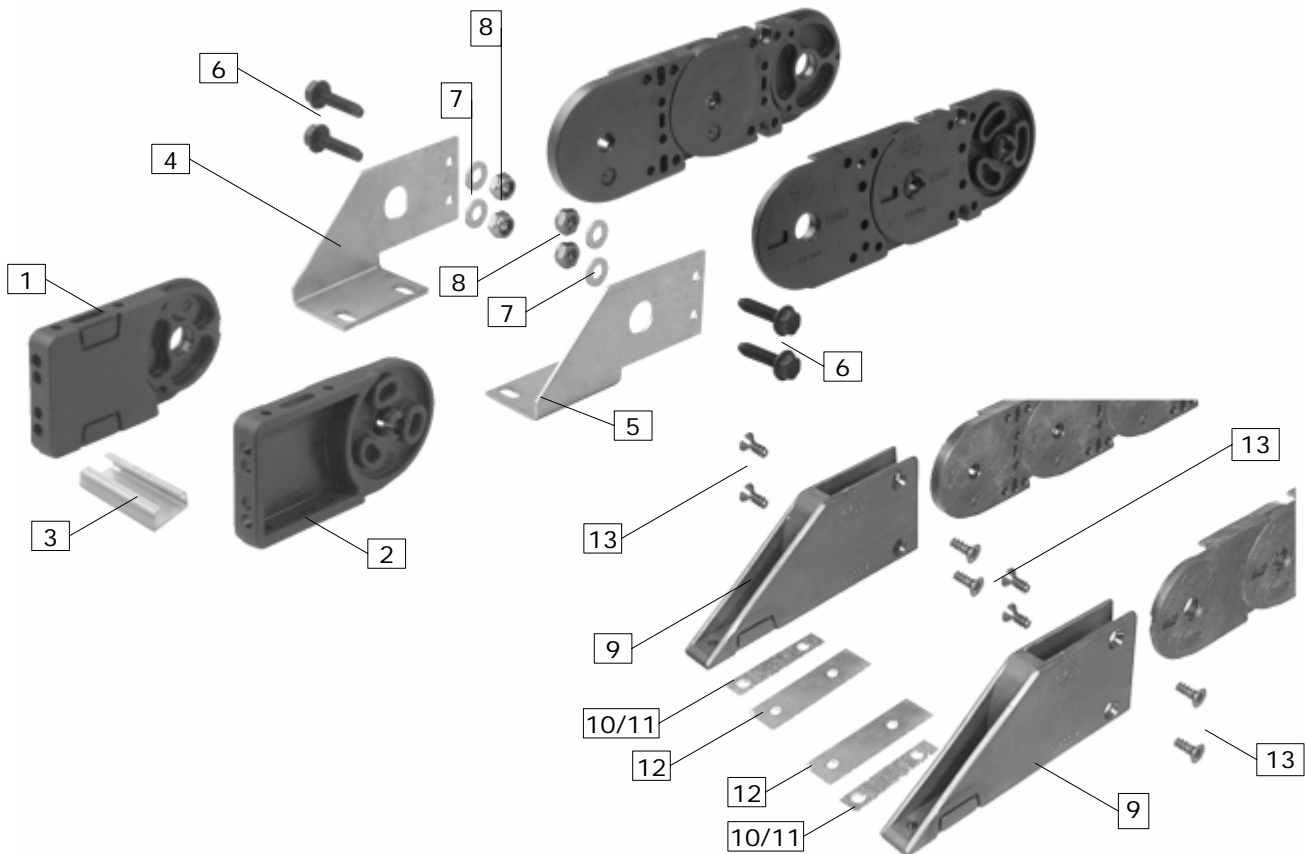
**Remarks:**

- $B_k = B_i + 31\text{mm}$  ( $B_k$ : chain width,  $B_i$ : inside width)
- $B_{EF}' = B_i + 45\text{mm}$  ( $B_{EF}'$ : chain width with sliding discs)

<sup>1</sup> Please indicate length per order.

<sup>2</sup> Chamber width=width-8mm, Thickness: 4mm

(all stay variants)



Item	Description / Remarks	Material	Mat.-No.
1	Universal connection piece K 0900 left / $B_{EF}=B_i+31\text{mm}$ , Standard	Plastic	71050
2	Universal connection piece K 0900 right / $B_{EF}=B_i+31\text{mm}$ , Standard	Plastic	71051
3	Retaining profile, $L=B_i-3\text{mm}$ , please indicate length per order	Steel galv.	3932
No pic.	Retaining profile, $L=B_i-3\text{mm}$ , please indicate length per order	Aluminium	3926
4	Connecting piece Steel K 0900 left side	Steel	51958
5	Connecting piece Steel K 0900 right side	Steel	51959
6	Spiral Thread Screw M6x25 black galvanized / 2 pieces per connecting piece item 4+5	Steel	22000
7	Disc D 6,4 DIN 125 / 2 pieces per connecting piece item 4+5	Steel	27820
8	Hexagonal nut M6 DIN 985 / 2 pieces per connecting piece item 4+5	Steel	27060
9	Connecting piece / for K and KE 0900	Plastic	51952
10	Insert sheet / one sheet per connecting piece	Steel galv.	51977
11	Insert sheet / one sheet per connecting piece	Stainless steel	51978
12	Distance sheet / only for connecting variant FI and MI	Steel	51979
13	Screws M8x18 / 4 screws per connecting piece item 9	Steel	21305

### Remarks:

- $B_{EF}$ : width of cable drag chain incl. connecting pieces