

BASIC-LINE

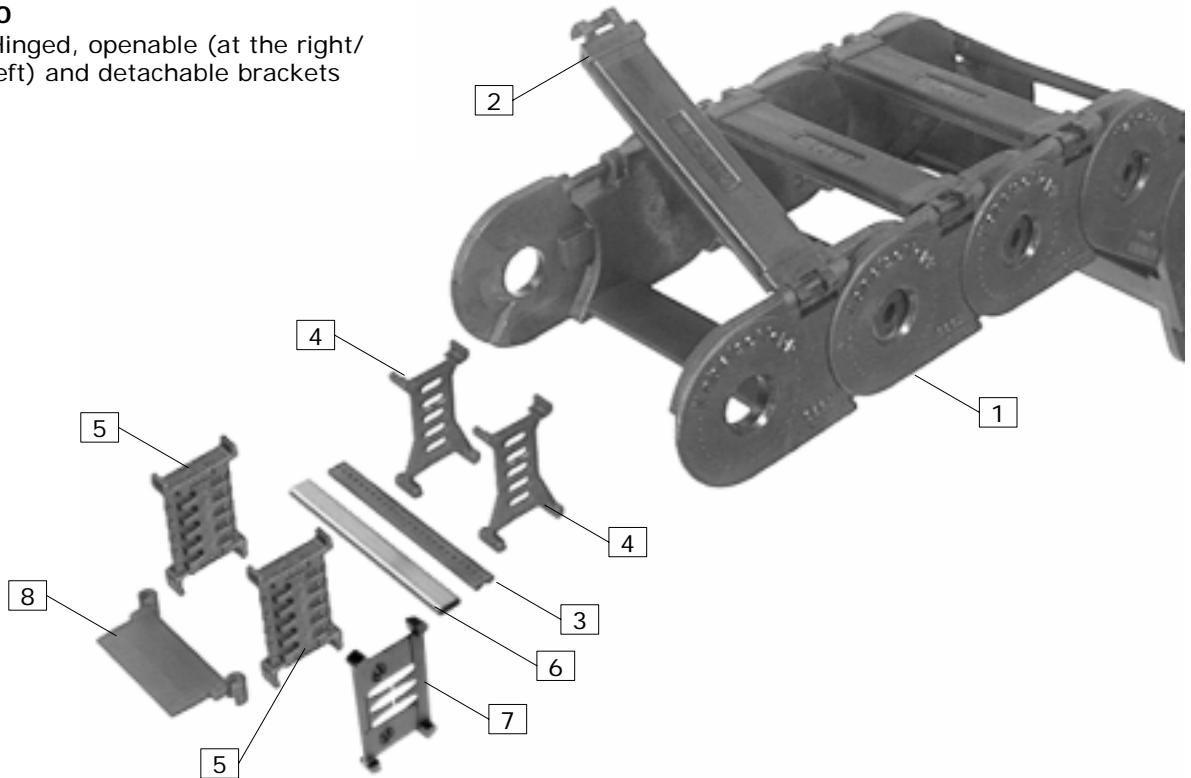
Cable carriers with fixed chain widths

UNIFLEX 0665

Design	Page
0665.030	2
0665.035	3
0665.040	4
0665.045	5
0665.050	6
0665.055	7
0665.060	8
End connectors for 0665	9

Design 030

Outside: Hinged, openable (at the right/left) and detachable brackets



Item	Description	Bi 50	Bi 75	Bi 100	Bi 125	Bi 150	Bi 175	Bi 200	Bi 225	Bi 250
1 ¹	KR 075	51180	51190	51200	51300	51310	51320	51420	51430	51440
	KR 100	51181	51191	51201	51301	51311	51321	51421	51431	51441
	KR 120	51182	51192	51202	51302	51312	51322	51422	51432	51442
	KR 140	51183	51193	51203	51303	51313	51323	51423	51433	51443
	KR 200	51184	51194	51204	51304	51314	51324	51424	51434	51444
	KR 250	51185	51195	51205	51305	51315	51325	51425	51435	51445
	KR 300	51186	51196	51206	51306	51316	51326	51426	51436	51446
2	Stays	52517	52518	52519	52520	52521	52522	52523	52524	52525
3 ²	Height separation	58270 L=48	71354* L=76	58273* L=100	71363 L=124	71368 L=148	71374* L=176	71380* L=200	-	-

(The lengths marked * must be cut to $B_i - 1\text{mm}$)

Item	Description / Remarks	Mat. -No.
4	Divider / Type I, $S_T=3\text{mm}$, movable	52567
5	Divider / Type II, $S_T=8\text{mm}$, movable	52568
6	Al hollow profile / 11x4, for height separation with item 4, $L=B_i-1\text{mm}$, max. 3lnm^3	5803
7	Twin divider, $S_T=3\text{mm}$, movable	71552

Item	Plastic horizontal divider for height separation with divider item 5 ⁴									
8	Width	16	18	23	28	32	33	38	43	
	Material No.	71514	52580	52581	52582	71515	52583	52584	52585	
	Width	48	58	64	68	78	80	88	96	
	Material No.	71516	52587	71517	52588	52589	71518	52590	71519	
	Width	112	128	144	160	176	192	208	-	
Material No.	71520	71521	71522	71523	71524	71525	71526	-		

Series 030 is to be opened outside, the stays can swivel in both directions.

¹ Mat.-No. for 1 Piece of cable drag chain with fitted stays / 15 links=1000mm

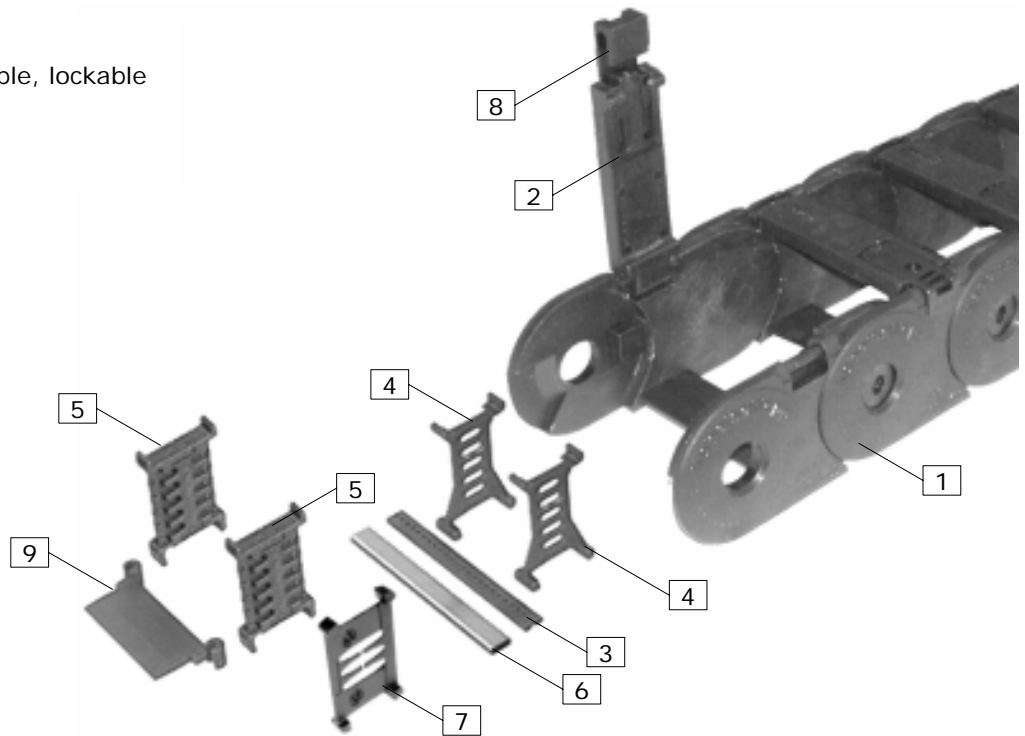
² Plastic connecting profiles 11x4mm for continuous height separation with item 4

³ Please indicate length per order

⁴ Chamber width=width-8mm, thickness: 4mm

Design 035

Outside: Hinged, openable, lockable



Item	Description	Bi 50	Bi 75	Bi 100	Bi 125	Bi 150	Bi 175	Bi 200	Bi 225	Bi 250
1 ¹	KR 075	51180	51190	51200	51300	51310	51320	51420	51430	51440
	KR 100	51181	51191	51201	51301	51311	51321	51421	51431	51441
	KR 120	51182	51192	51202	51302	51312	51322	51422	51432	51442
	KR 140	51183	51193	51203	51303	51313	51323	51423	51433	51443
	KR 200	51184	51194	51204	51304	51314	51324	51424	51434	51444
	KR 250	51185	51195	51205	51305	51315	51325	51425	51435	51445
	KR 300	51186	51196	51206	51306	51316	51326	51426	51436	51446
2	Stays, to be locked	52635	52636	52637	52641	52642	52643	52644	52645	52646
3 ²	Height separation	58270 L=48	71354* L=76	58273* L=100	71363 L=124	71368 L=148	71374* L=176	71380* L=200	-	-

(The lengths marked * must be cut to Bi-1mm)

Item	Description / Remarks	Mat. -No.
4	Divider / Type I, S _T =3mm, movable	52567
5	Divider / Type II, S _T =8mm, movable	52568
6	Al hollow profile / 11x4, for height separation with item 4, L=Bi-1mm, max. 3Nm ³	5803
7	Twin divider, S _T =3mm, movable	71552
8	Locking clip	52638

Item	Plastic horizontal divider for height separation with divider item 5 ⁴									
9	Width	16	18	23	28	32	33	38	43	
	Material No.	71514	52580	52581	52582	71515	52583	52584	52585	
	Width	48	58	64	68	78	80	88	96	
	Material No.	71516	52587	71517	52588	52589	71518	52590	71519	
	Width	112	128	144	160	176	192	208	-	
Material No.	71520	71521	71522	71523	71524	71525	71526	-		

Series 035 is to be opened outside, the stays can swivel in both directions and have a locking mechanism

¹ Mat.-No. for 1 Piece of cable drag chain with fitted stays / 15 Links=1000mm

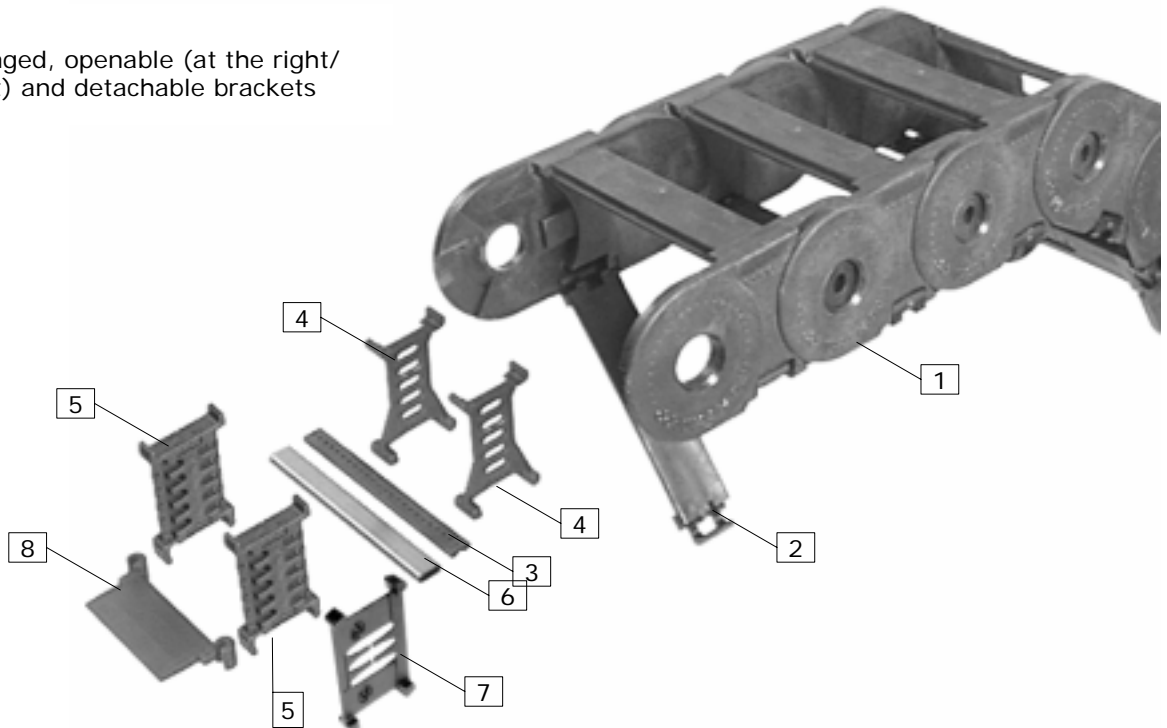
² Plastic connecting profiles 11x4mm for continuous height separation with item 4

³ Please indicate length per order

⁴ Chamber width=width-8mm, thickness: 4mm

Design 040

Inside: Hinged, openable (at the right/left) and detachable brackets



Item	Description	Bi 50	Bi 75	Bi 100	Bi 125	Bi 150	Bi 175	Bi 200	Bi 225	Bi 250
1 ¹	KR 075	51210	51220	51230	51330	51340	51350	51450	51460	51470
	KR 100	51211	51221	51231	51331	51341	51351	51451	51461	51471
	KR 120	51212	51222	51232	51332	51342	51352	51452	51462	51472
	KR 140	51213	51223	51233	51333	51343	51353	51453	51463	51473
	KR 200	51214	51224	51234	51334	51344	51354	51454	51464	51474
	KR 250	51215	51225	51235	51335	51345	51355	51455	51465	51475
	KR 300	51216	51226	51236	51336	51346	51356	51456	51466	51476
2	Stays	52517	52518	52519	52520	52521	52522	52523	52524	52525
3 ²	Height separation	58270 L=48	71354* L=76	58273* L=100	71363 L=124	71368 L=148	71374* L=176	71380* L=200	-	-

(The lengths marked * must be cut to $B_i-1\text{mm}$)

Item	Description / Remarks	Mat. -No.
4	Divider / Type I, $S_T=3\text{mm}$, movable	52567
5	Divider / Type II, $S_T=8\text{mm}$, movable	52568
6	Al hollow profile / 11x4, for height separation with item 4, $L=B_i-1\text{mm}$, max. 3lnm^3	5803
7	Twin divider, $S_T=3\text{mm}$, movable	71552

Item	Plastic horizontal divider for height separation with divider item 5 ⁴									
8	Width	16	18	23	28	32	33	38	43	
	Material No.	71514	52580	52581	52582	71515	52583	52584	52585	
	Width	48	58	64	68	78	80	88	96	
	Material No.	71516	52587	71517	52588	52589	71518	52590	71519	
	Width	112	128	144	160	176	192	208	-	
Material No.	71520	71521	71522	71523	71524	71525	71526	-		

Series 040 is to be opened inside, the stays can swivel in both directions.

¹ Mat.-No. for 1 piece of cable drag chain with fitted stays / 15 Links=1000mm

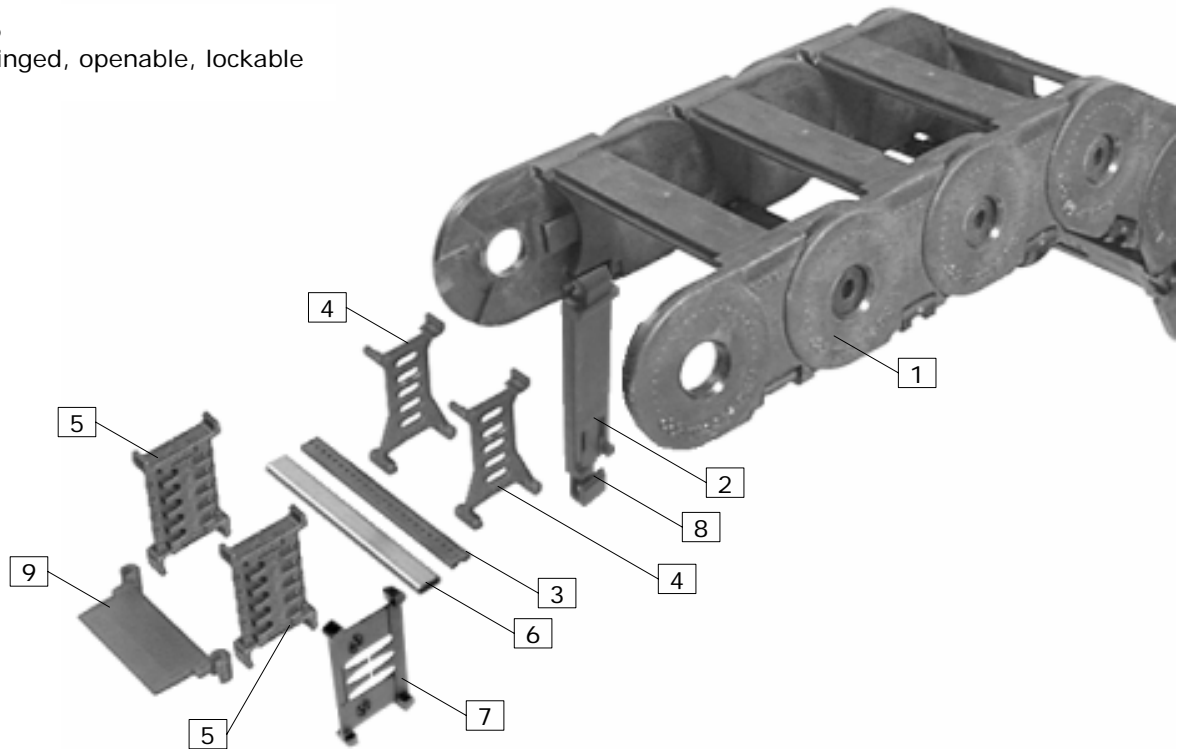
² Plastic connecting profiles 11x4mm for continuous height separation with item 4

³ Please indicate length per order

⁴ Chamber width=width-8mm, thickness: 4mm

Design 045

Inside: Hinged, openable, lockable



Item	Description	Bi 50	Bi 75	Bi 100	Bi 125	Bi 150	Bi 175	Bi 200	Bi 225	Bi 250
1 ¹	KR 075	51210	51220	51230	51330	51340	51350	51450	51460	51470
	KR 100	51211	51221	51231	51331	51341	51351	51451	51461	51471
	KR 120	51212	51222	51232	51332	51342	51352	51452	51462	51472
	KR 140	51213	51223	51233	51333	51343	51353	51453	51463	51473
	KR 200	51214	51224	51234	51334	51344	51354	51454	51464	51474
	KR 250	51215	51225	51235	51335	51345	51355	51455	51465	51475
	KR 300	51216	51226	51236	51336	51346	51356	51456	51466	51476
2	Stays, to be locked	52635	52636	52637	52641	52642	52643	52644	52645	52646
3 ²	Height separation	58270 L=48	71354* L=76	58273* L=100	71363 L=124	71368 L=148	71374* L=176	71380* L=200	-	-

(The lengths marked * must be cut to B_I-1mm)

Item	Description / Remarks	Mat. -No.
4	Divider / Type I, S _T =3mm, movable	52567
5	Divider / Type II, S _T =8mm, movable	52568
6	Al hollow profile / 11x4, for height separation with item 4, L=B _I -1mm, max. 3lnm ³	5803
7	Twin divider, S _T =3mm, movable	71552
8	Locking clip	52638

Item	Plastic horizontal divider for height separation with divider item 5 ⁴									
9	Width	16	18	23	28	32	33	38	43	
	Material No.	71514	52580	52581	52582	71515	52583	52584	52585	
	Width	48	58	64	68	78	80	88	96	
	Material No.	71516	52587	71517	52588	52589	71518	52590	71519	
	Width	112	128	144	160	176	192	208	-	
Material No.	71520	71521	71522	71523	71524	71525	71526	-		

Series 045 is to be opened inside, the stays can swivel in both directions and have a locking mechanism.

¹ Mat.-No. for 1 Piece of cable drag chain with fitted stays / 15 Links=1000mm

² Plastic connecting profiles 11x4mm for continuous height separation with item 4

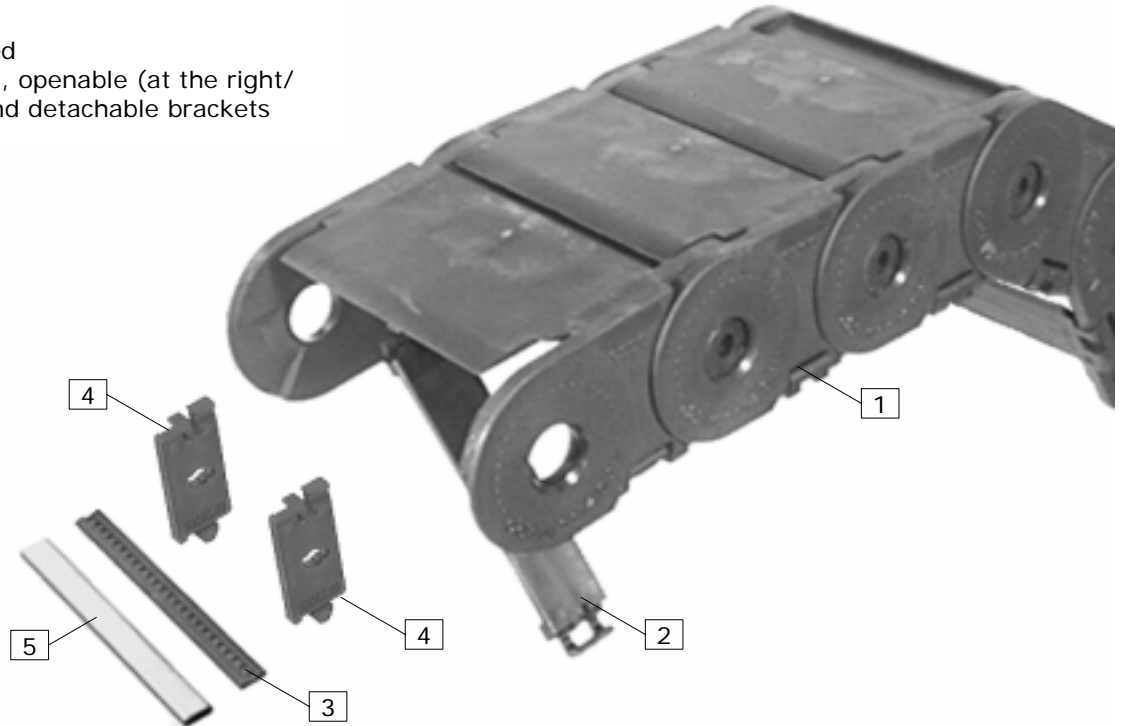
³ Please indicate length per order

⁴ Chamber width=width-8mm, thickness: 4mm

Design 050

Outside: Covered

Inside: Hinged, openable (at the right/left) and detachable brackets



Item	Description	Bi 50	Bi 75	Bi 100	Bi 125	Bi 150	Bi 175	Bi 200	Bi 225	Bi 250
1 ¹	KR 075	51240	51250	51260	51360	51370	51380	–	–	–
	KR 100	51241	51251	51261	51361	51371	51381	–	–	–
	KR 120	51242	51252	51262	51362	51372	51382	–	–	–
	KR 140	51243	51253	51263	51363	51373	51383	–	–	–
	KR 200	51244	51254	51264	51364	51374	51384	–	–	–
	KR 250	51245	51255	51265	51365	51375	51385	–	–	–
	KR 300	51246	51256	51266	51366	51376	51386	–	–	–
2	Stays	52517	52518	52519	52520	52521	52522	–	–	–
3 ²	Height separation	58270 L=48	71354* L=76	58273* L=100	71363 L=124	71368 L=148	71374* L=176	–	–	–

(The lengths marked * must be cut to $B_i - 1\text{mm}$)

Item	Description / Remarks	Mat. -No.
4 ³	Divider / Type III, $S_T=5\text{mm}$, fixed	52569
5	Al hollow profile / 11x4, for height separation with item 4, $L=B_i - 1\text{mm}$, max. 3lnm^4	5803

Series 050 is to be opened inside, the stays can swivel in both directions.

¹ Mat.-No. for 1 Piece of cable drag chain with fitted stays / 15 Links=1000mm

² Plastic connecting profiles 11x4mm for continuous height separation with item 4

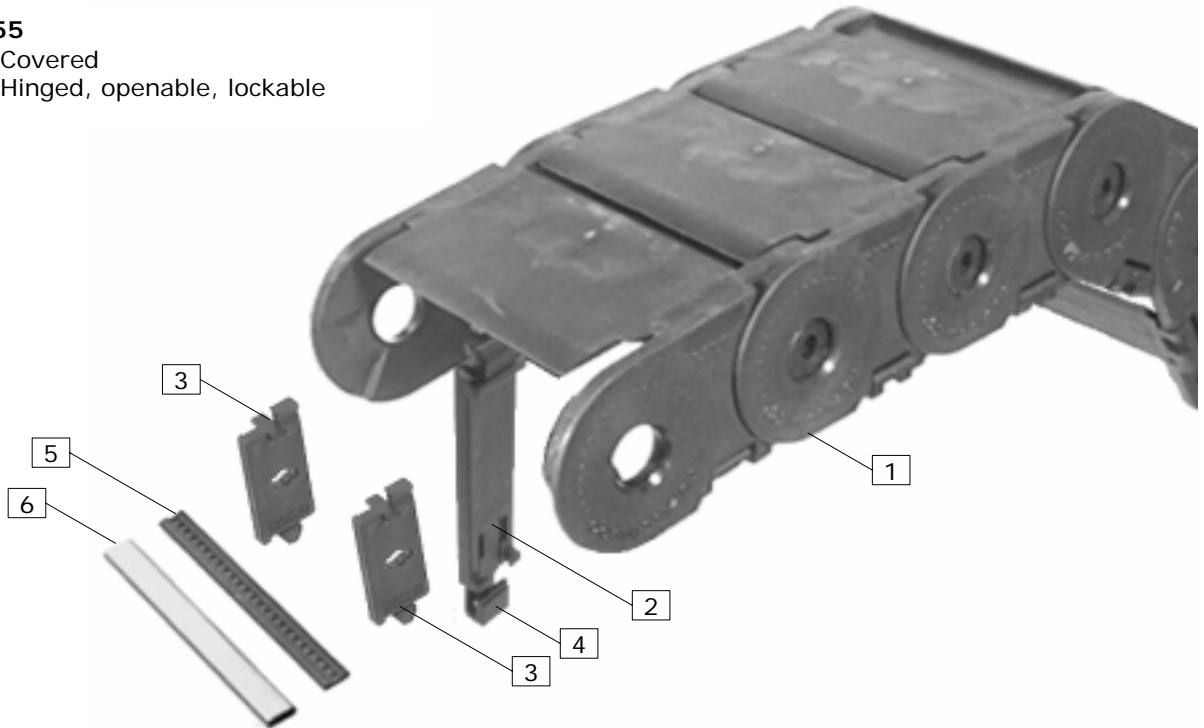
³ For use in series 050 the lower nose of the divider must be removed.

⁴ Please indicate length per order

Design 055

Outside: Covered

Inside: Hinged, openable, lockable



Item	Description	Bi 50	Bi 75	Bi 100	Bi 125	Bi 150	Bi 175	Bi 200	Bi 225	Bi 250
1 ¹	KR 075	51240	51250	51260	51360	51370	51380	–	–	–
	KR 100	51241	51251	51261	51361	51371	51381	–	–	–
	KR 120	51242	51252	51262	51362	51372	51382	–	–	–
	KR 140	51243	51253	51263	51363	51373	51383	–	–	–
	KR 200	51244	51254	51264	51364	51374	51384	–	–	–
	KR 250	51245	51255	51265	51365	51375	51385	–	–	–
	KR 300	51246	51256	51266	51366	51376	51386	–	–	–
2	Stays, to be locked	52635	52636	52637	52641	52642	52643	–	–	–
3 ²	Height separation	58270 L=48	71354* L=76	58273* L=100	71363 L=124	71368 L=148	71374* L=176	–	–	–

(The lengths marked * must be cut to $B_i - 1\text{mm}$)

Item	Description / Remarks	Mat. -No.
4	Locking clip	52638
5 ³	Divider / Type III, $S_T = 5\text{mm}$, fixed	52569
6	Al hollow profile / 11x4, for height separation with item 4, $L = B_i - 1\text{mm}$, max. 3lnm^4	5803

Series 055 is to be opened inside, the stays can swivel in both directions and have a locking mechanism.

¹ Mat.-No. for 1 Piece of cable drag chain with fitted stays / 15 Links=1000mm

² Plastic connecting profiles 11x4mm for continuous height separation with item 4

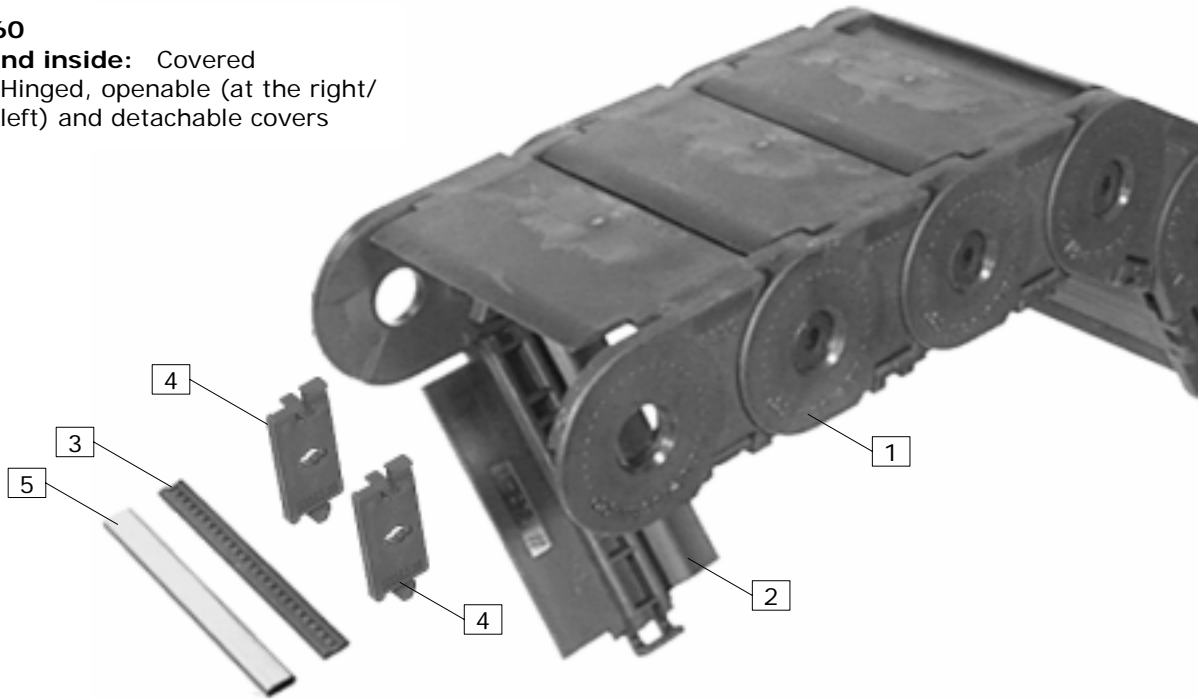
³ For use in series 055 the lower nose of the divider must be removed.

⁴ Please indicate length per order

Design 060

Outside and inside: Covered

Inside: Hinged, openable (at the right/left) and detachable covers



Item	Description	Bi 50	Bi 75	Bi 100	Bi 125	Bi 150	Bi 175	Bi 200	Bi 225	Bi 250
1 ¹	KR 075	KR _{min} : 120mm for types 0665.060						-	-	-
	KR 100							-	-	-
	KR 120	51272	51282	51292	51392	51402	51412	-	-	-
	KR 140	51273	51283	51293	51393	51403	51413	-	-	-
	KR 200	51274	51284	51294	51394	51404	51414	-	-	-
	KR 250	51275	51285	51295	51395	51405	51415	-	-	-
	KR 300	51276	51286	51296	51396	51406	51416	-	-	-
2	Inside cover	52547	52548	52549	52550	52551	52552	-	-	-
3 ²	Height separation	58270 L=48	71354* L=76	58273* L=100	71363 L=124	71368 L=148	71374* L=176	-	-	-

(The lengths marked * must be cut to B_i-1mm)

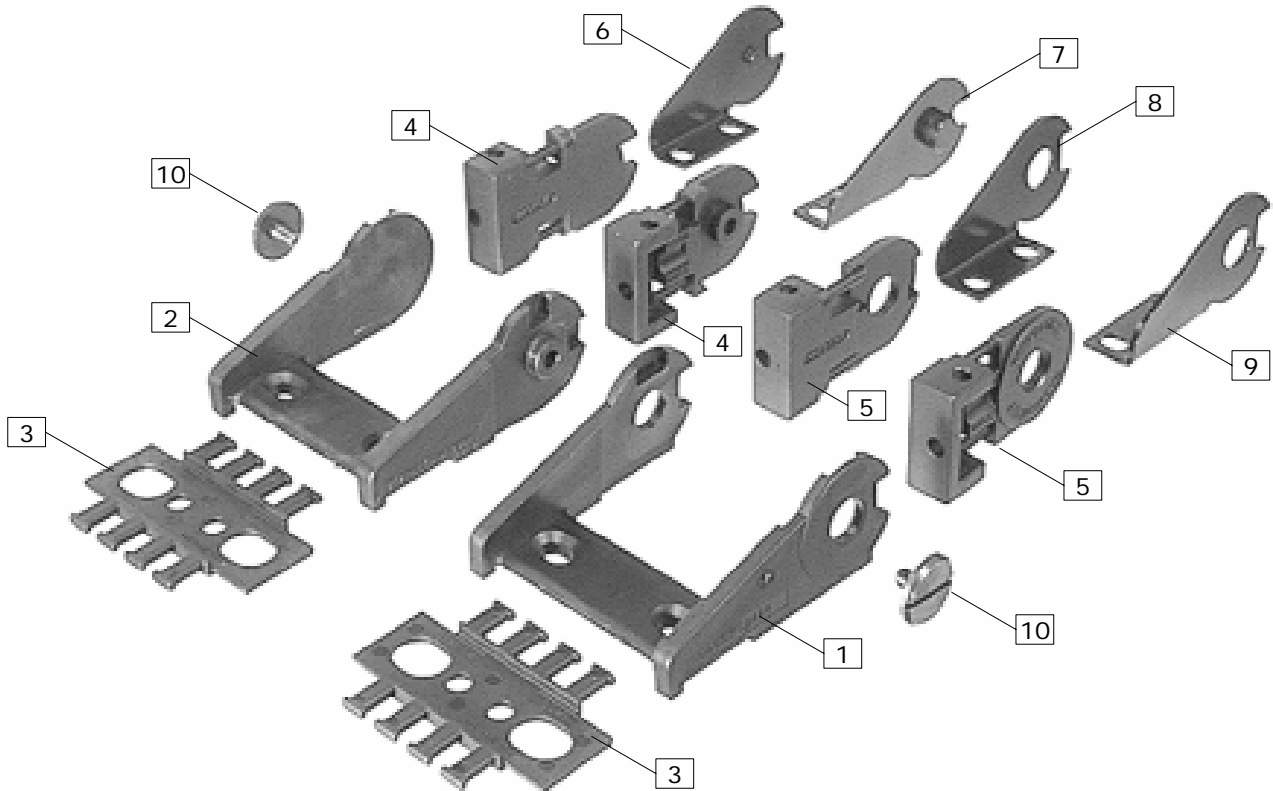
Item	Description / Remarks	Mat. -No.
4	Divider / Type III, S _T =5mm, fixed	52569
5	Al hollow profile / 11x4, for height separation with item 4, L=B _i -1mm, max. 3lnm ³	5803

Series 060 is to be opened inside, the cover elements can swivel to both directions.

¹ Mat.-No. for 1 Piece of cable drag chain with fitted stays / 15 Links=1000mm

² Plastic connecting profiles 11x4mm for continuous height separation with item 4

³ Please indicate length per order



Item	Connecting piece ¹	Bi 50	Bi 75	Bi 100	Bi 125	Bi 150	Bi 175	Bi 200	Bi 225	Bi 250
1	without bolts	52460	52462	52464	52466	52468	52470	52472	52474	52478
2	with bolts	52461	52463	52465	52467	52469	52471	52473	52475	52479
3	Strain relief	52490	52491	52492	52493	52494	52495	52496	52497	52498

Item	Description / Remarks	Mat.-No.
4 ²	Al front connector / left/right with bolts	52626
5 ²	Al front connector / left/right without bolts	52627
6	Steel End connector / left with bolts	52608
7	Steel End connector / right with bolts	52609
8	Steel End connector / left without bolts	52610
9	Steel End connector / right without bolts	52611
10	Screw M8x10 / only for additional fixing of the parts	20923

Remarks:

- End pieces without bolts are fitted to the driver point (Standard)
- End pieces with bolts are fitted to the fixed point (Standard)

¹ Standard: one piece connecting pieces with additional strain relief element.

² For each connection 2 stays without locking clip resp. covers of the correct width are required.