

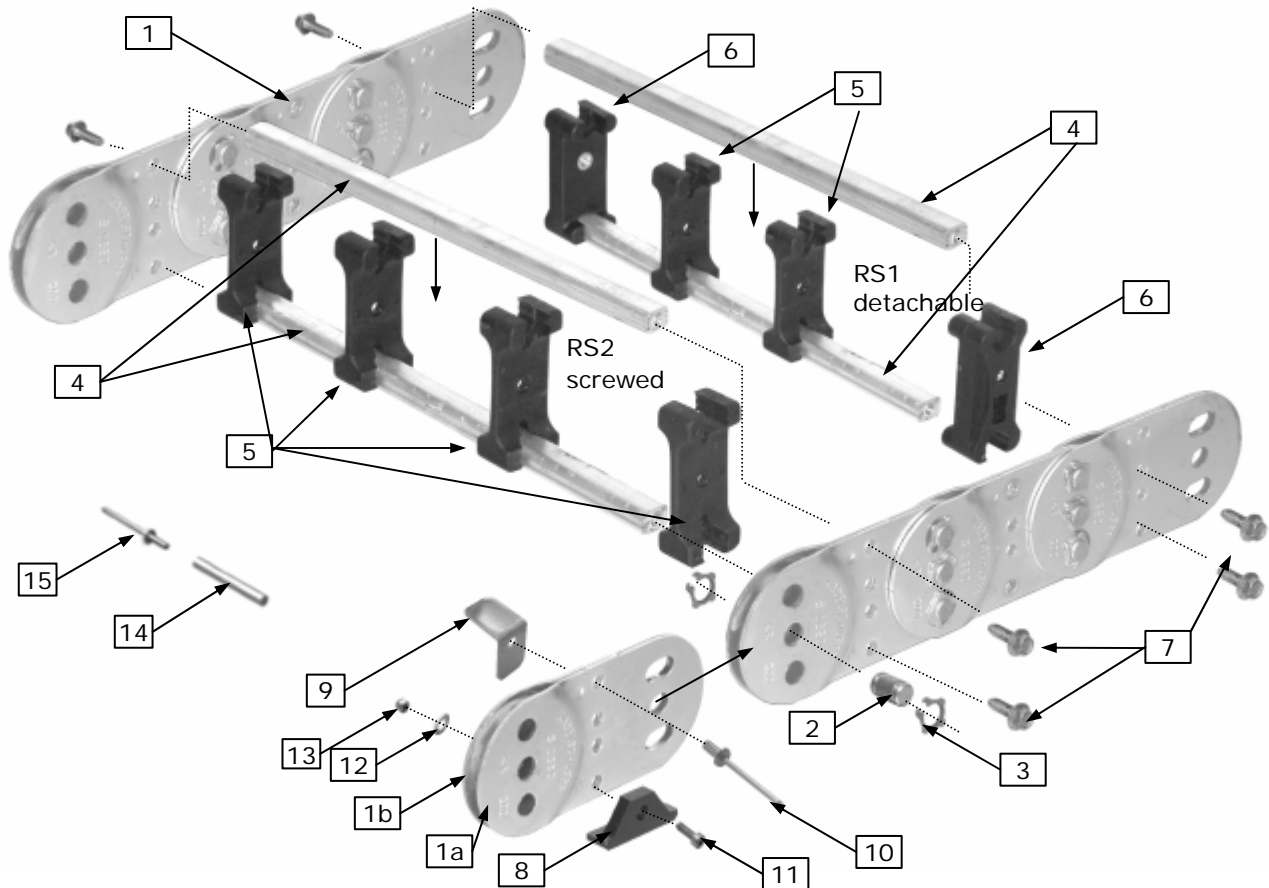
STEEL-LINE

Steel Cable Carriers

Type S/SX 0650

Type	Page
S/SX 0650 RS	2
S/SX 0650 RMD	4
S/SX 0650 RMA	5
S/SX 0650 RR	6
S/SX 0650 LG	7
End connectors	9

Stay variant „RS“: Frame stay



Item	KR	075	095	115	125	135	145	155	175
1	Chain band ¹	44400	44405	44410	44415	44420	44425	44430	44435
1a	Plate right ²	44000	44005	44010	44015	44020	44025	44030	44035
1b	Plate left ²	44001	44006	44011	44016	44021	44026	44031	44036
	KR	200	250	300	-	-	-	-	-
1	Chain band ¹	44440	44445	44448	-	-	-	-	-
1a	Plate left ²	44040	44045	44048	-	-	-	-	-
1b	Plate left ²	44041	44046	44049	-	-	-	-	-

Item	Description / remarks	Mat. -No.
2	Bolts / Steel galvanized	29910
	Bolts / stainless steel	29905
3	Circlip / Steel galvanized	27710
	Circlip / Stainless steel	27718
4	Frame stay profile 10,5x7,5 / Profile bar, L = Bst = Bi + 20 mm ³	5815
5	Divider for frame stay, B = 3 mm	44250
6	End piece with bush for frame stay / detachable	41530
	Spiral screw M4x12 / with assembly machine	21960
	Ratchet screw M4x12 / for manual assembly	22150
	Hexagonal screw M4x12 A2 / use with SX 0650 with lock washer	19515
7	Lock washer D4 A2	27405
	Slider	- ⁴
8	Slider	- ⁴
9	Steel band holder S 0650 / for inside and outside	44258
10	Rivet 4x8 / for assembly of the steel band holder	29390

¹ Material number for 1 Piece of chain band assembled / 15 Links = 975 mm, Material galvanized steel, Stainless steel not available from stock

² Material Steel galvanized, Stainless steel not available from stock

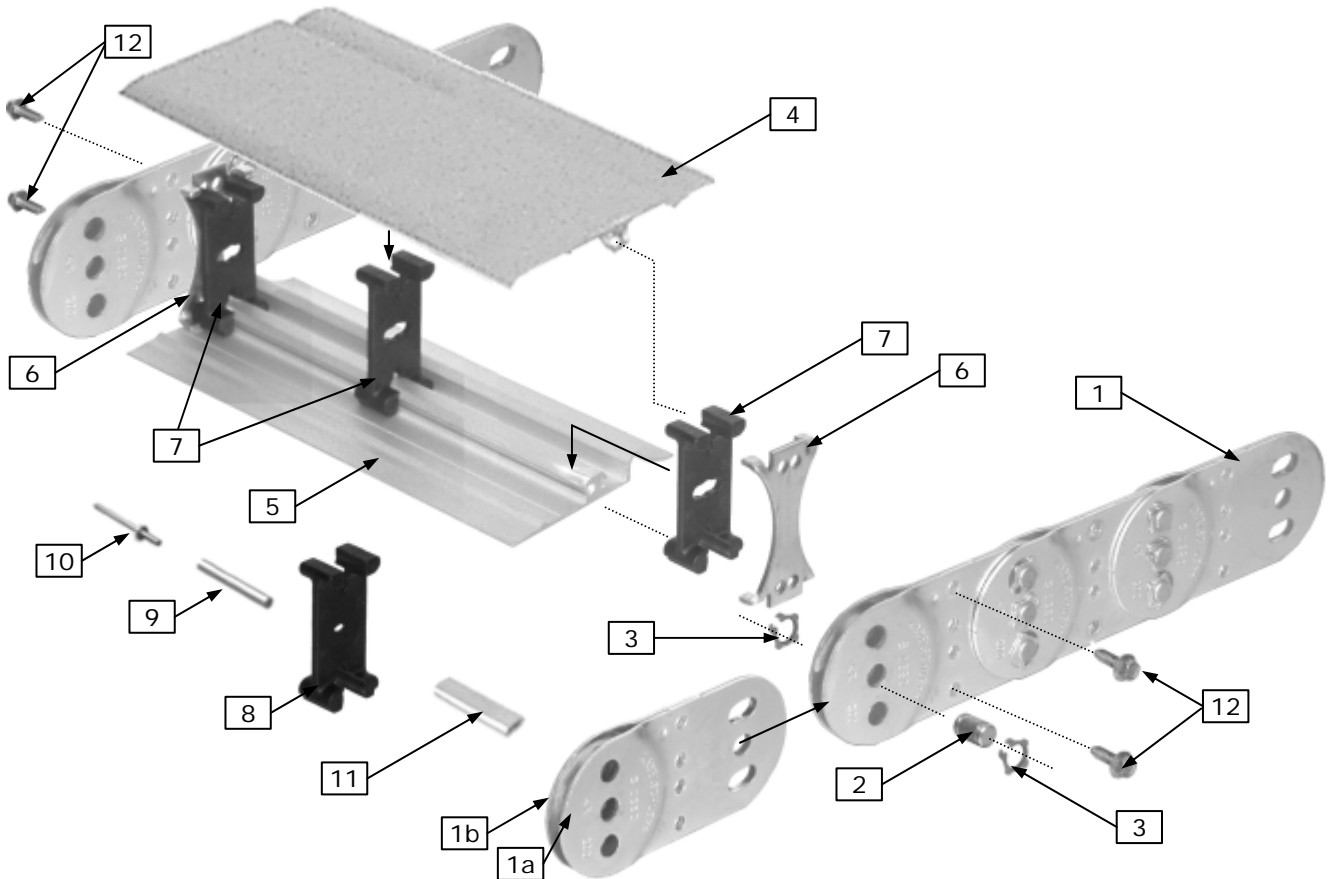
³ Please indicate length per order

⁴ not available from stock

Item	Description / remarks	Mat. -No.
11	Cylindrical screw M4x12	20310
12	Disc D 4,3	27808
13	Hexagon nut M4, DIN 985	27020
14	Steel tube / Ø5x0.75, for height separation (max. 2 m) ¹	6998
15	Rivet / Ø3x10, for Steel tube	29344
no pic.	Assembly key / Steel, for Profile bars	16090

¹ Please indicate length per order

Stay variant „RMD“: Frame stay – Cover system, closed cable carrier



Item	KR	115	125	135	145	155	175	200	250	300
1	Chain band ¹	44410	44415	44420	44425	44430	44435	44440	44445	44448
1a	Plate right ²	44010	44015	44020	44025	44030	44035	44040	44045	44048
1b	Plate left ²	44011	44016	44021	44026	44031	44036	44041	44046	44049

Item	Description / remarks	Mat. -No.
2	Bolts / Steel galvanized	29910
	Bolts / Stainless steel	29905
3	Circlip / Steel galvanized	27710
	Circlip / Stainless steel	27718
4	Cover S0650 outside elox.	5837
5	Cover S0650 inside elox.	5838
6	Distance sheet	40002
7	Divider 0650.1 RMD Aluminium profile, B = 3 mm, for continuous height separation with item 9 or item 11.	44254
8	Divider 0650.1 RMD, for height separation with item 9+10	44252
9	Steel tube / Ø5x0.75, for height separation (max. 2 m) ³	6998
10	Rivet / Ø3x10, for Steel tube	29344
11	Al-hollow profile / 11x4, for height separation (max. 3 m) ³	5803
12	Spiral screw M4x20 8.8 / with assembly machine	21970
	Ratchet screw M4x12 / for manual assembly	22150
	Hexagonal screw M4x12 A2 / use with SX 0650 with lock washer	19515
	Lock washer D4 A2	27405

Remarks:

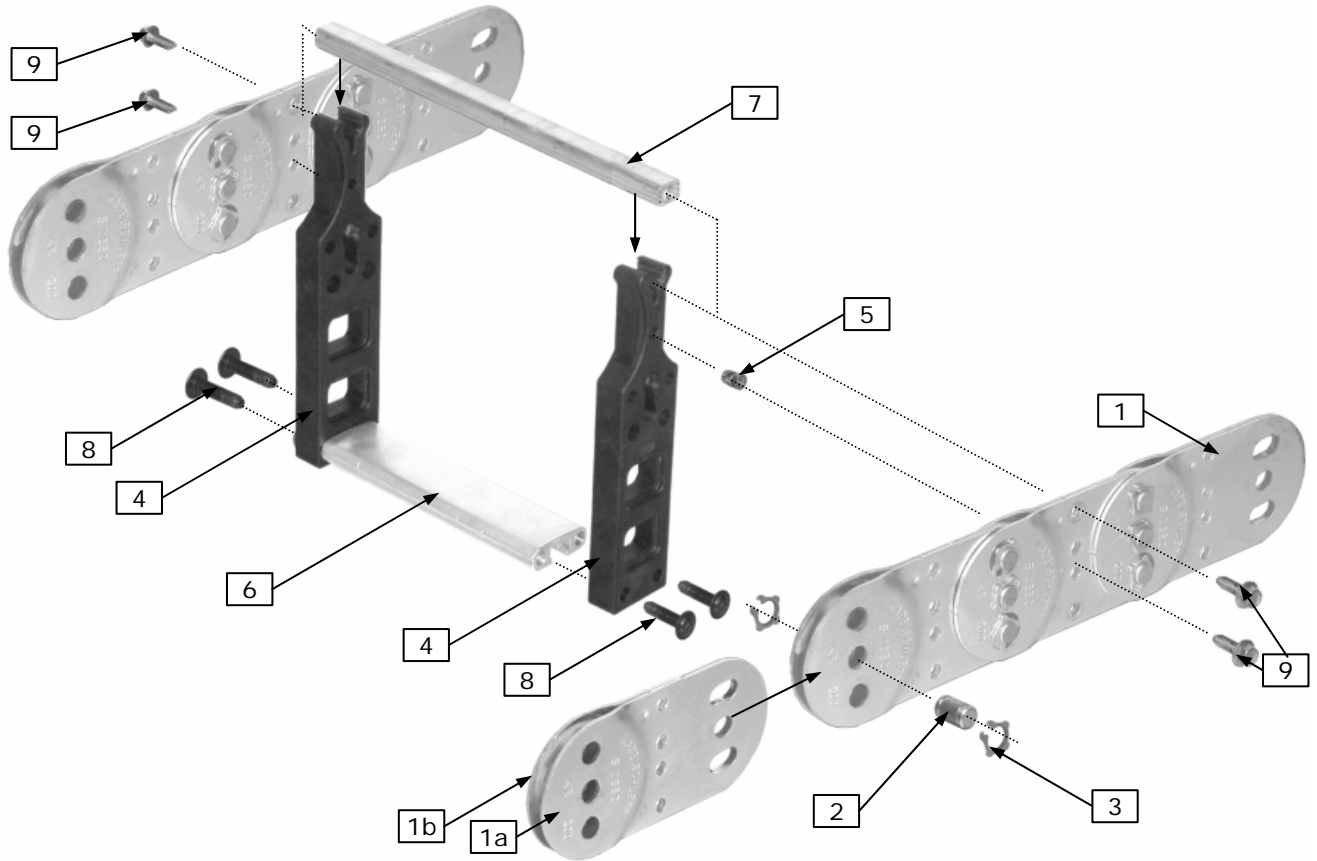
For stay variant „RMD“ KR_{min} = 115 mm

¹ Material number for 1 piece of chain band assembled / 15 Links = 975 mm, Material galvanized steel, Stainless steel not available from stock

² Material Steel galvanized, Stainless steel not available from stock

³ Please indicate length per order

Stay variant „RMA“: Mounting – Frame stay



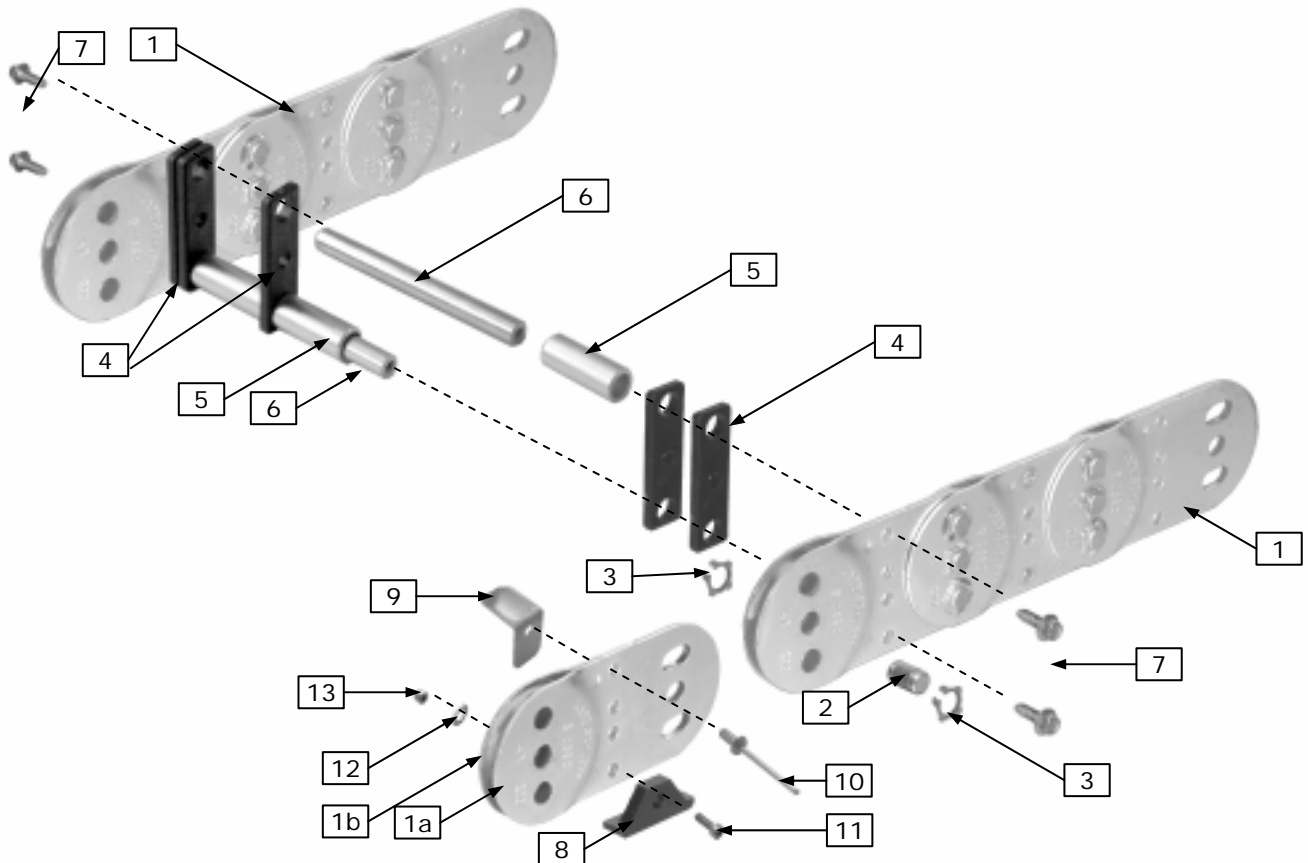
Item	KR	-	-	-	-	175	200	250	300
1	Chain band ¹	-	-	-	-	44435	44440	44445	44448
1a	Plate right ²	-	-	-	-	44035	44040	44045	44048
1b	Plate left ²	-	-	-	-	44036	44041	44046	44049

Item	Description / remarks	Mat. -No.
2	Bolts / Steel galvanized	29910
	Bolts / Stainless steel	29905
3	Circlip / Steel galvanized	27710
	Circlip / Stainless steel	27718
4	Mounting stay series 0600 Hi 130, Minimum-KR 175	50001
	Mounting stay series 0600 Hi 160, Minimum-KR 220	50002
	Mounting stay series 0600 Hi 200, Minimum-KR 300	50003
5	Bush M4	28500
6	Frame stay profile 31.4x11	5823
7	Frame stay profile 10,5x7,5	5815
8	Screw M6x25	22225
9	Spiral screw M4x12 / with assembly machine	21960
	Ratchet screw M4x12 / for manual assembly	22150
	Hexagonal screw M4x12 A2 / use with SX 0650 with lock washer	19515
	Lock washer D4 A2	27405
no pic.	Assembly key / Steel, for Profile bars	16090

¹ Material number for 1 piece of chain band assembled / 15 Links = 975 mm, Material galvanized steel, Stainless steel not available from stock

² Material Steel galvanized, Stainless steel not available from stock

Stay variant „RR“: Frame stay – Tube design



Item	KR	075	095	115	125	135	145	155	175
1	Chain band ¹	44400	44405	44410	44415	44420	44425	44430	44435
1a	Plate right ²	44000	44005	44010	44015	44020	44025	44030	44035
1b	Plate left ²	44001	44006	44011	44016	44021	44026	44031	44036
	KR	200	250	300	-	-	-	-	-
1	Chain band ¹	44440	44445	44448	-	-	-	-	-
1a	Plate left ²	44040	44045	44048	-	-	-	-	-
1b	Plate left ²	44041	44046	44049	-	-	-	-	-

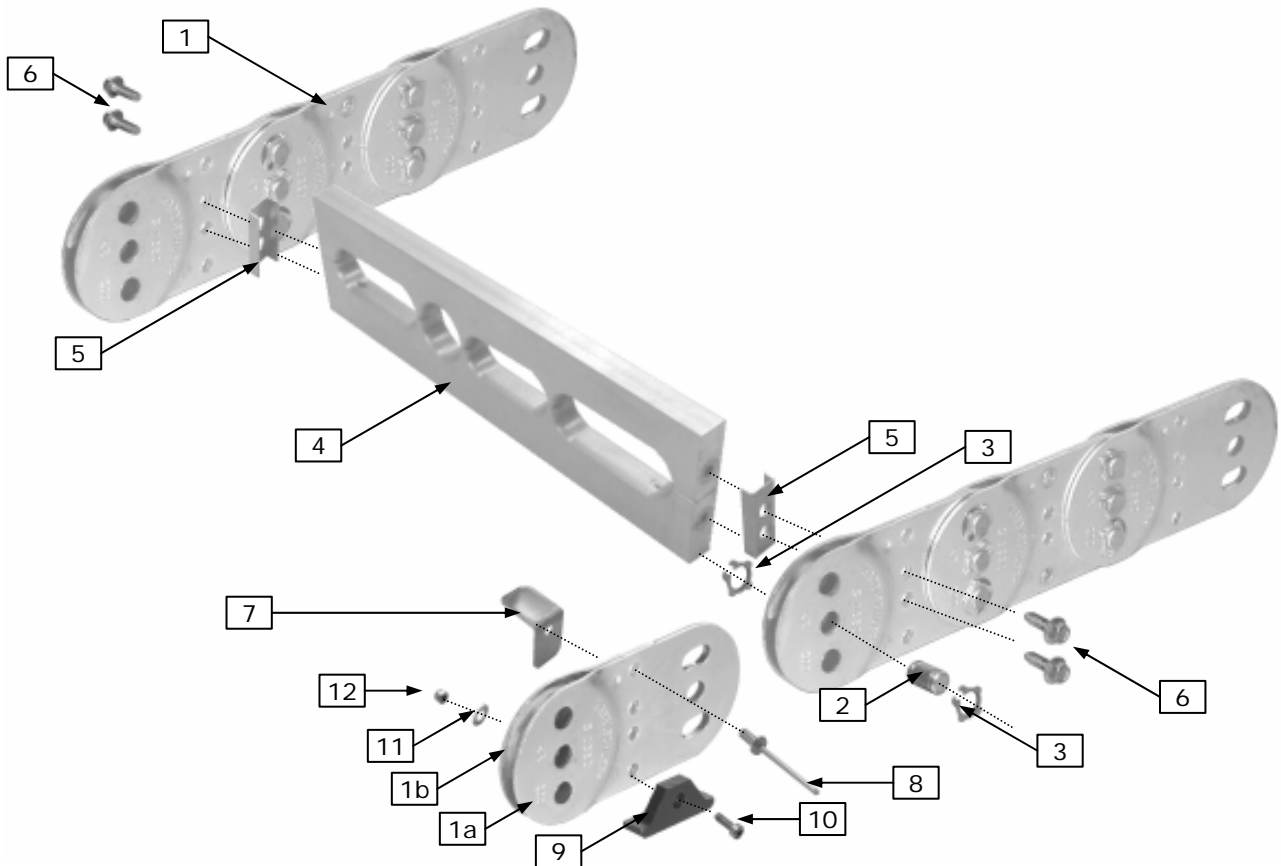
Item	Description / remarks	Mat. -No.
2	Bolts / Steel galvanized	29910
	Bolts / Stainless steel	29905
3	Circlip / Steel galvanized	27710
	Circlip / Stainless steel	27718
4	Divider / For the edges use two dividers, B = 3 mm	44251
5	Tube, D 12/9 mm	- ³
6	Axle, D 8 mm	- ³
7	Ratchet screw M4x12	22150
	Hexagonal screw M4x12 A2 / use with SX 0650 with lock washer	19515
	Lock washer D4 A2	27405
8	Slider	- ³
9	Steel band holder S 0650 / for inside and outside	44258
10	Rivet 4x8 / for assembly of the steel band holder	29390
11	Cylindrical screw M4x12	20310
12	Disc D 4,3	27808
13	Nut M4, DIN 985	27020

¹ Material number for 1 Piece of chain band assembled / 15 Links = 975 mm, Material galvanized steel, Stainless steel not available from stock

² Material Steel galvanized, Stainless steel not available from stock

³ not available from stock

Stay variant „LG“: Hole stay



Item	KR	075	095	115	125	135	145	155	175
1	Chain band ¹	44400	44405	44410	44415	44420	44425	44430	44435
1a	Plate right ²	44000	44005	44010	44015	44020	44025	44030	44035
1b	Plate left ²	44001	44006	44011	44016	44021	44026	44031	44036
	KR	200	250	300	-	-	-	-	-
1	Chain band ¹	44440	44445	44448	-	-	-	-	-
1a	Plate left ²	44040	44045	44048	-	-	-	-	-
1b	Plate left ²	44041	44046	44049	-	-	-	-	-

Item	Description / remarks	Mat. -No.
2	Bolts / Steel galvanized	29910
	Bolts / Stainless steel	29905
3	Circlip / Steel galvanized	27710
	Circlip / Stainless steel	27718
no pic.	Al flat profile 10x25 / split design ³	5210
no pic.	Al flat profile 10x44 / unsplit design with steel band cover ³	- ⁴
4	Al flat profile 10x50 / unsplit design ³	5240
5	Clamp	36050
6	Spiral screw M4x12 / with assembly machine	21960
	Ratchet screw M4x12 / for manual assembly	22150
	Hexagonal screw M4x12 A2 / use with SX 0650 with lock washer	19515
	Lock washer D4 A2	27405
7	Steel band holder S 0650 / for inside and outside	44258
8	Rivet 4x8 / for assembly of the steel band holder	29390

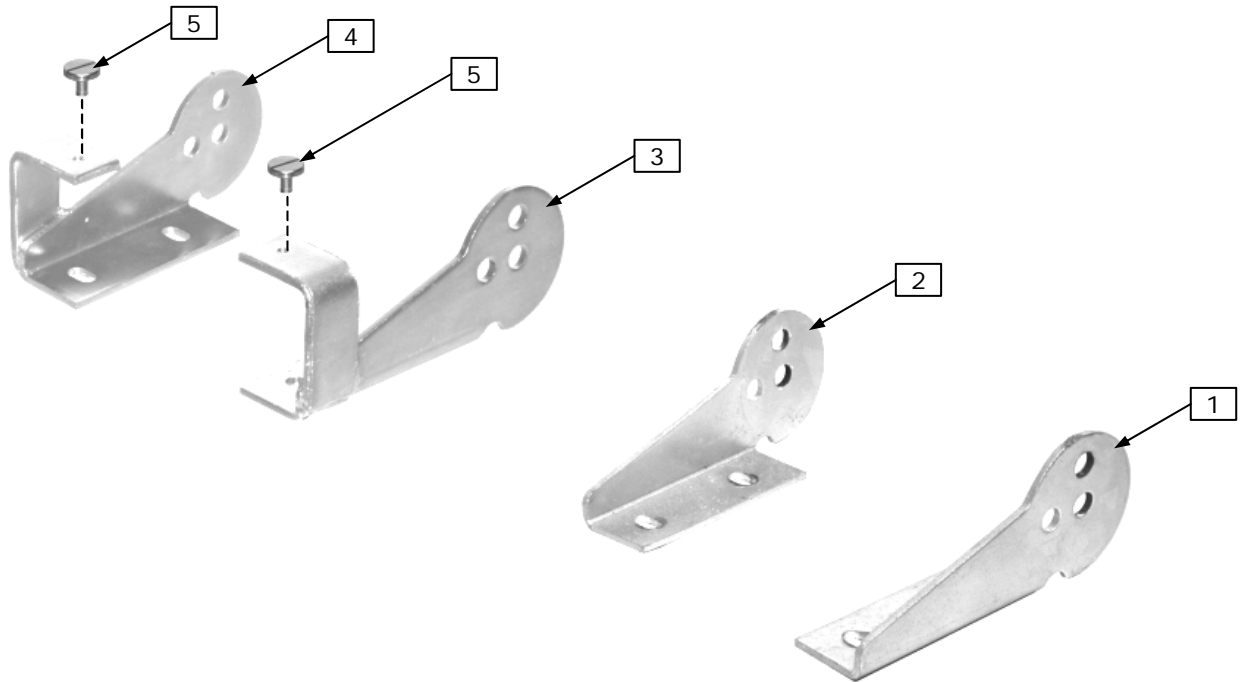
¹ Material number for 1 Piece of chain band assembled / 15 Links = 975 mm, Material galvanized steel, Stainless steel not available from stock

² Material Steel galvanized, Stainless steel not available from stock

³ Please indicat length and hole pattern per order

⁴ not available from stock

Item	Description / remarks	Mat. -No.
9	Slider	— ⁴
10	Cylindrical screw M4x12	20310
11	Disc D 4,3	27808
12	Nut M4, DIN 985	27020



Item	Description / remarks	Mat. -No.
1	Connecting piece 0650.1 right / Steel galvanized	44210
	Connecting piece 0650.1 right / Stainless steel	44211
2	Connecting piece 0650.1 left / Steel galvanized	44215
	Connecting piece 0650.1 left / Stainless steel	44216
3	Connecting piece 0650.1 right steel band / Steel galvanized	44220
4	Connecting piece 0650.1 left steel band / Steel galvanized	44225
5	Flat head screw M4x8	20910
no. pic.	Disc 8x14x0,5 / at the fixed point two discs are required per connecting piece	27550