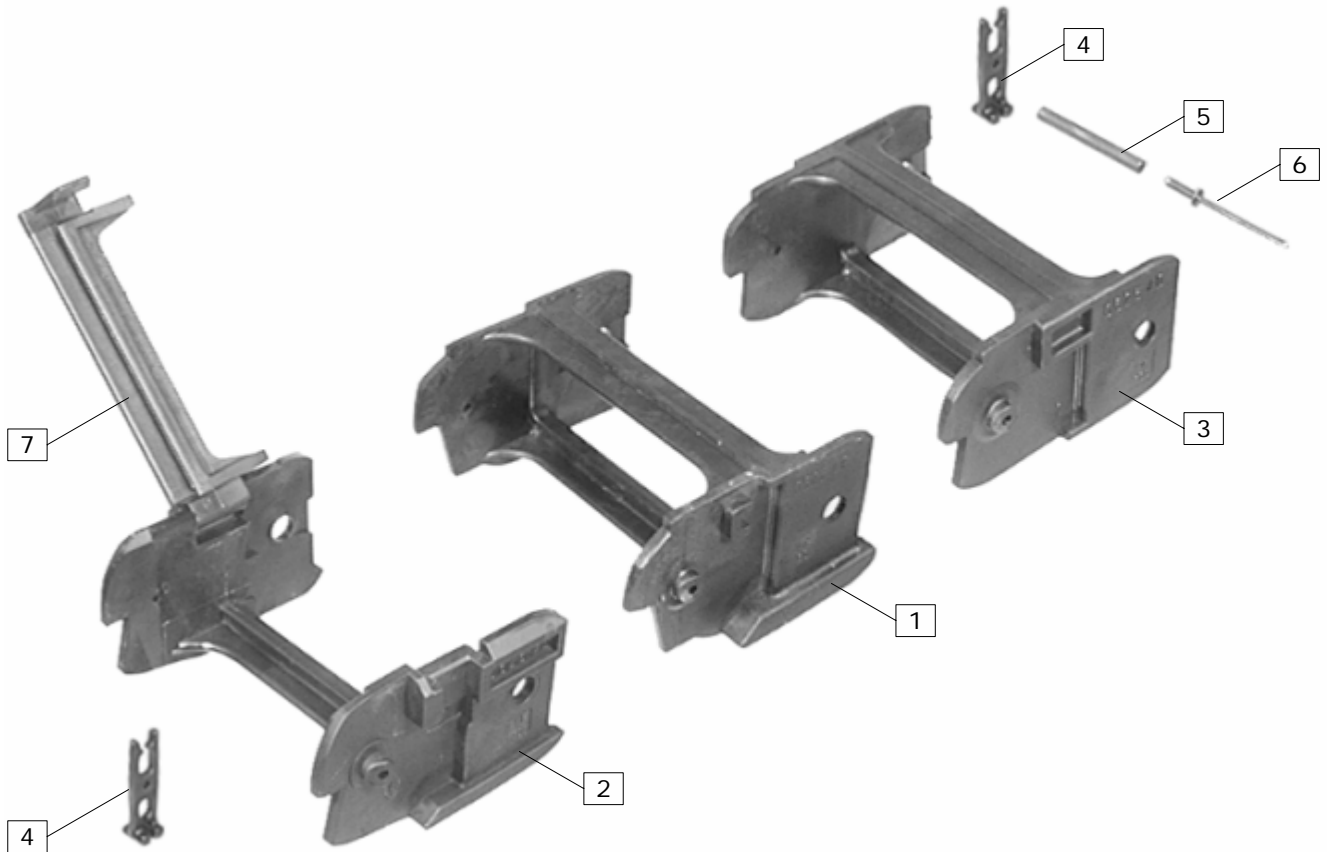


# BASIC-LINE

Cable carriers with fixed chain widths

MONO Type 0625

Type	Page
0625.22/23/40/42/43 .....	2
0625.x5 .....	3
Connecting pieces.....	4



Item	Type	B <sub>i</sub>	h <sub>i</sub>	h <sub>G</sub>	KR 75	KR 90	KR 125	KR 150	KR 200	KR 250	KR 300
1 <sup>1</sup>	0625.22	65	34	62	-	61020	61025	-	61030	-	61035
2 <sup>2</sup>	0625.23	65	34	62	-	61040	61045	61004	61050	61002	61055
3 <sup>1,3</sup>	0625.40	108	34	56	57491	57493	57494	-	57496	-	57498
1 <sup>1</sup>	0625.42	108	34	62	57602	57606	57608	-	57610	-	57616
2 <sup>2</sup>	0625.43	108	34	62	60995	61000	61005	61007	61010	61003	61015

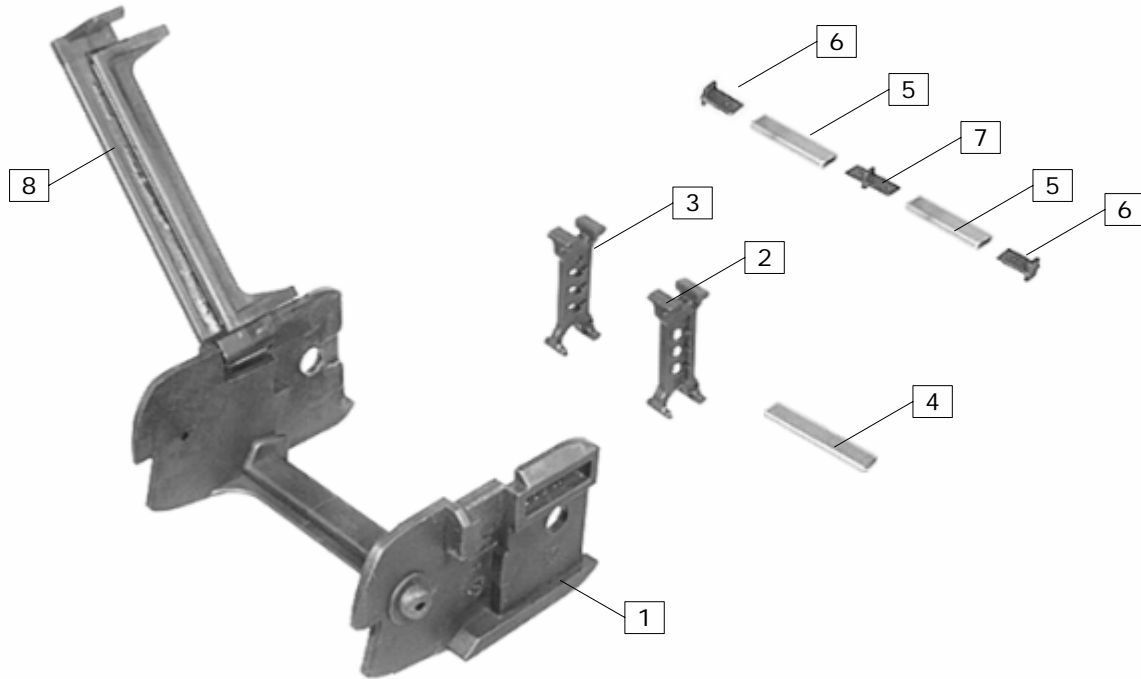
Item	Description / Remarks	Mat.-No.
4	Divider / S <sub>T</sub> =3.4mm	57781
5	Steel tube / Ø5x0,75, for height separation with divider item 4, max. 2lnm <sup>4</sup>	6998
6	Rivet / Ø3x10, for steel tube	29344
7	Stay / for 0625.23, single piece	58100
	Stay / for 0625.43, single piece	48103

<sup>1</sup> Material number for 1 piece cable carrier, 16 links=1000mm, Type closed

<sup>2</sup> Material number for 1 piece cable carrier with stays assembled, 16 links=1000mm, Type with hinged und openable and detachable stays at outside

<sup>3</sup> Without moulded sliding shoes

<sup>4</sup> Please indicate length at order

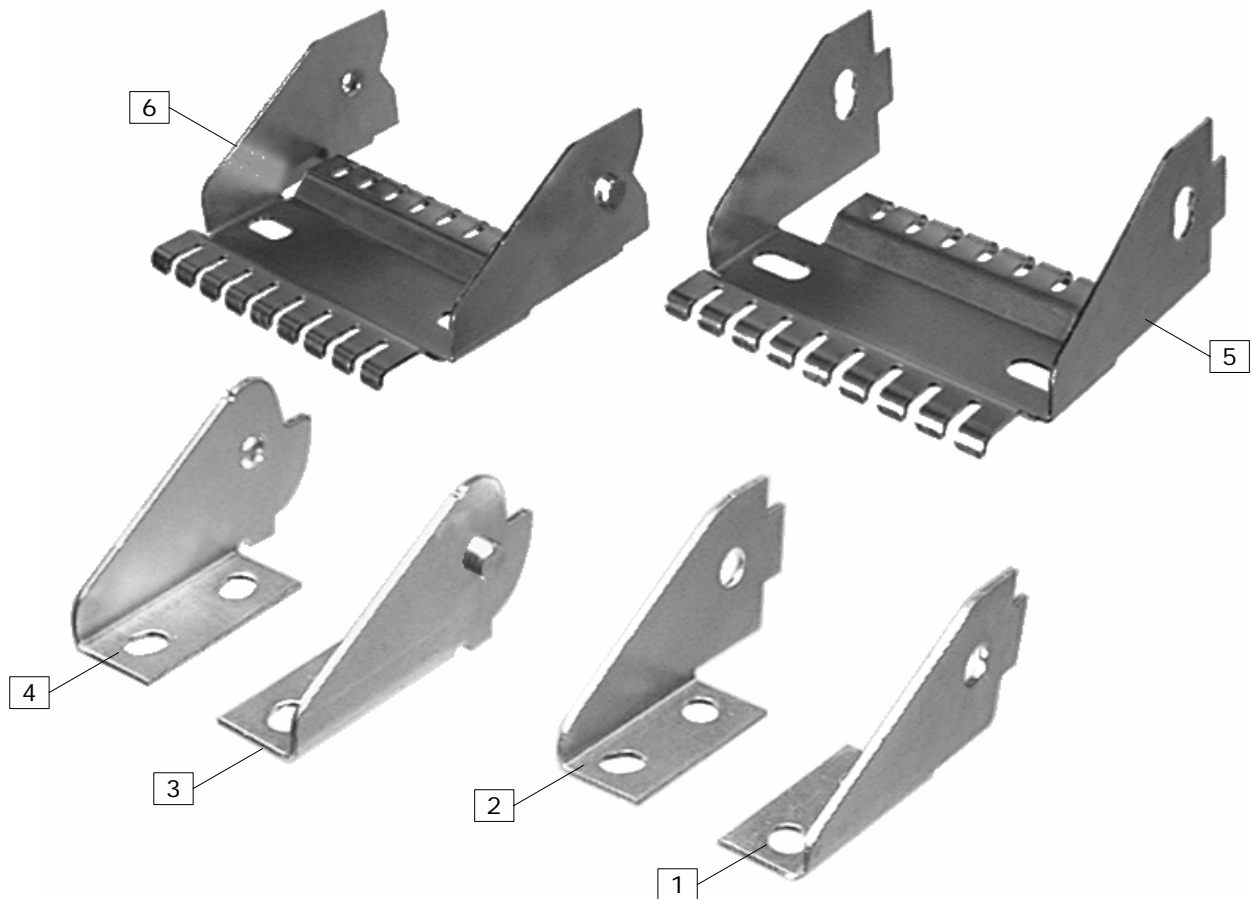


Item	Type	B <sub>i</sub>	h <sub>i</sub>	h <sub>G</sub>	KR 75	KR 90	KR 125	KR 150	KR 200	KR 250	KR 300
1 <sup>1</sup>	0625.25	65	42	62	-	58505	58506	58511	58507	58508	58509
	0625.45	108	42	62	-	58555	58556	58560	58557	58558	58559
	0625.55	125	42	62	-	58606	58607	58612	58608	58609	58610
	0625.65	150	42	62	-	58656	58657	58649	58658	58659	58660
	0625.75	169	42	62	-	58706	58707	58712	58708	58709	58710

Item	Description / Remarks	Mat.-No.
2	Divider / for TS0 and TS1, S <sub>T</sub> =4mm	57784
3	Divider / for TS0, TS1 and TS2, S <sub>T</sub> =6mm	57783
4	Al-Flat profile / 9x2 mm, for height separating with item 2+3, max. 3lnm <sup>2</sup>	6240
5	Al-Hollow profile / 11x4 mm, for height separation with item 3, max. 3lfm <sup>2</sup>	5803
6	Insert part single sided / for TS2 with Al-Hollow profile	71250
7	Insert part double sided / for TS2 with Al-Hollow profile	71255
8	Stay / for 0625.25, Single part	58100
	Stay / for 0625.45, Single part	48103
	Stay / for 0625.55, Single part	58605
	Stay / for 0625.65, Single part	58655
	Stay / for 0625.75, Single part	58705

<sup>1</sup> Material number for 1 piece cable carrier with stays assembled, 16 links=1000mm, with hinged und openable and detachable stays at outside

<sup>2</sup> Please indicate length at order



Item	Description / Remarks	Mat.-No.
1	Connecting pieces right without bolts / Standard, Driver <sup>1</sup>	57770
2	Connecting pieces left without bolts / Standard, Driver <sup>1</sup>	57771
3	Connecting pieces right with bolts/ Standard, Fixed point <sup>1</sup>	57772
4	Connecting pieces left with bolts / Standard, Fixed point <sup>1</sup>	57773

Item	for Types	B <sub>i</sub>	Description / Remarks	Mat.-No.
5	0625.22/23/25	65	Connecting pieces without bolts / Driver <sup>2</sup>	52344
6	0625.22/23/25	65	Connecting pieces with bolts / Fixed point <sup>2</sup>	52345
5	0625.40/42/43/45	108	Connecting pieces without bolts / Driver <sup>2</sup>	52346
6	0625.40/42/43/45	108	Connecting pieces with bolts / Fixed point <sup>2</sup>	52347
5	0625.55	125	Connecting pieces without bolts / Driver <sup>2</sup>	52348
6	0625.55	125	Connecting pieces with bolts / Fixed point <sup>2</sup>	52349
5	0625.65	150	Connecting pieces without bolts / Driver <sup>2</sup>	52350
6	0625.65	150	Connecting pieces with bolts / Fixed point <sup>2</sup>	52351
5	0625.75	169	Connecting pieces without bolts / Driver <sup>2</sup>	52352
6	0625.75	169	Connecting pieces with bolts / Fixed point <sup>2</sup>	52353

<sup>1</sup> Standard-Connecting pieces, two steel parts, for all types, slots under 45°, holes Ø9mm

<sup>2</sup> Special connecting pieces, one steel part, with integrated strain relief, slots crosswise, holes Ø9mm