

BASIC-LINE

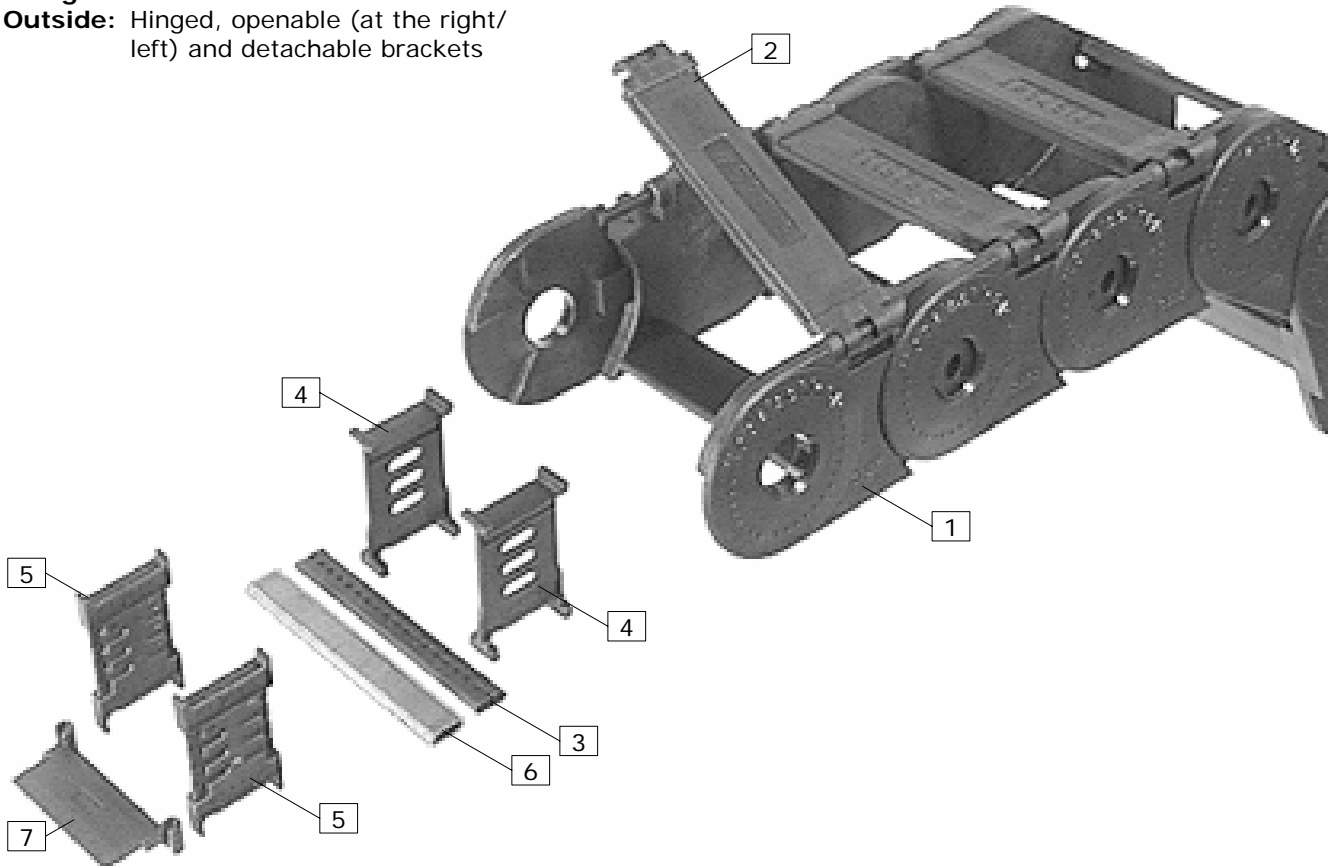
Cable carriers with fixed chain widths

UNIFLEX 0555

Design	Page
0555.030	2
0555.035	3
0555.040	4
0555.045	5
0555.050	6
0555.055	7
0555.060	8
Connecting pieces for 0555	9

Design 030

Outside: Hinged, openable (at the right/left) and detachable brackets



Item	Description	Bi 50	Bi 75	Bi 100	Bi 125	Bi 150
1 ¹	KR 063	50980	50990	51060	51100	51110
	KR 080	50981	50991	51061	51101	51111
	KR 100	50982	50992	51062	51102	51112
	KR 125	50983	50993	51063	51103	51113
	KR 160	50984	50994	51064	51104	51114
	KR 200	50985	50995	51065	51105	51115
	KR 230	50986	50996	51066	51106	51116
2	Stay	52512	52513	52514	52515	52516
3	Height separation ²	58270 (L=48mm)	71354* (L=76mm)	58273* (L=100mm)	71363 (L=124mm)	71368 (L=148mm)

*) The lengths marked with * must be cut to B_i-1 mm.

Item	Description / Remarks	Mat.-No.
4	Divider / Type I, $S_T=2.5$ mm, movable	52564
5	Divider / Type II, $S_T=5$ mm, movable	52565
6	Al hollow profile / 11x4, for height separation with item 4, $L=B_i-1$ mm, max. 3lnm ³	5803

Item	Plastic height separation - for height separation with divider item 5 ⁴								
	Width	15	20	25	30	35	40	45	55
7	Material No.	52570	52571	52572	52573	52574	52575	52576	52577
	Material No.	52578	52579	-	-	-	-	-	-

¹ Mat.-No. for 1 piece of chain incl. stays, assembled / 18 Links=1000mm

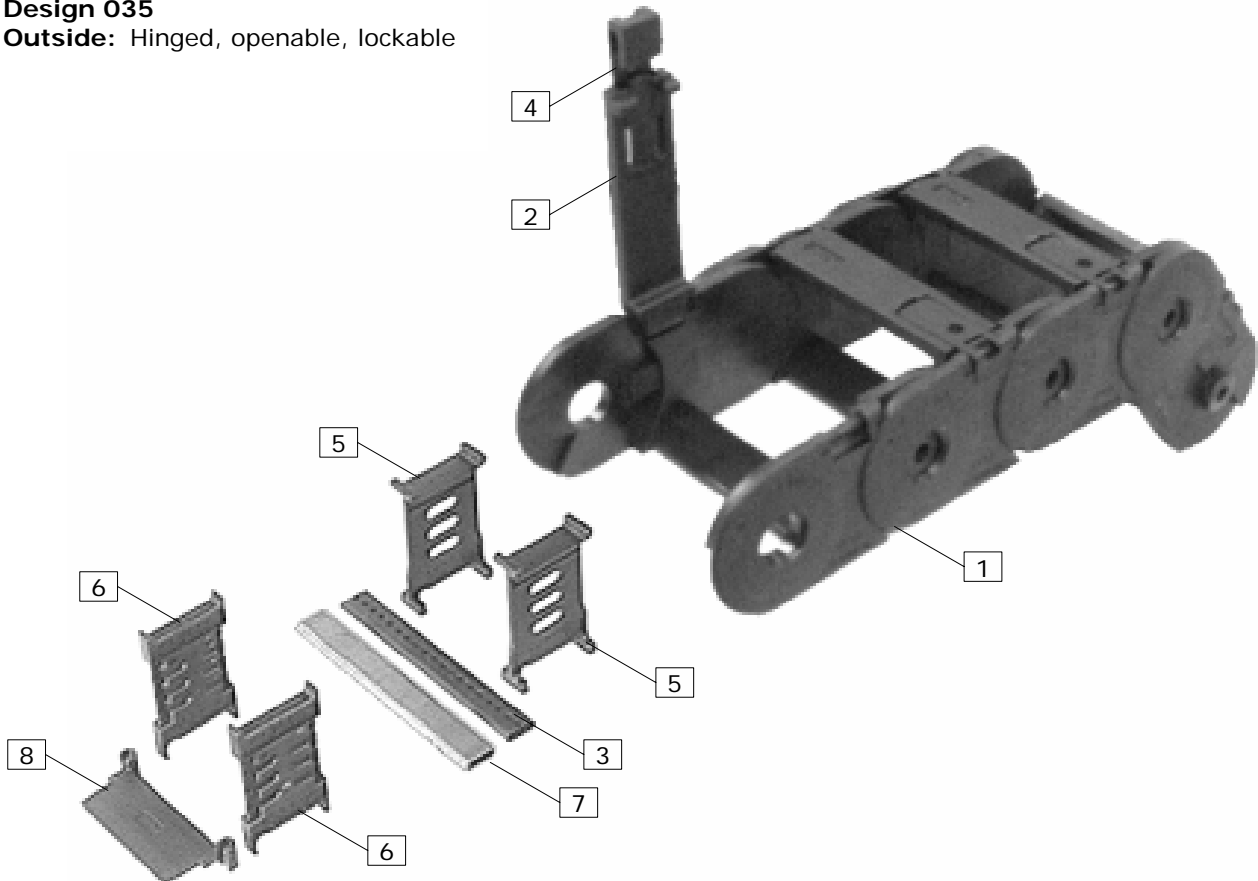
² Plastic connecting profiles 11x4 mm for continuous height separation with item 4

³ Please indicate length per order

⁴ chamber width=width-5mm, thickness=2.4mm

Design 035

Outside: Hinged, openable, lockable



Item	Description	Bi 50	Bi 75	Bi 100	Bi 125	Bi 150
1 ¹	KR 063	50980	50990	51060	51100	51110
	KR 080	50981	50991	51061	51101	51111
	KR 100	50982	50992	51062	51102	51112
	KR 125	50983	50993	51063	51103	51113
	KR 160	50984	50994	51064	51104	51114
	KR 200	50985	50995	51065	51105	51115
	KR 230	50986	50996	51066	51106	51116
2	Stay	52630	52631	52632	52639	52640
3	Height separation ²	58270 (L=48mm)	71354* (L=76mm)	58273* (L=100mm)	71363 (L=124mm)	71368 (L=148mm)

*) The lengths marked * must be cut to B_I-1mm.

Item	Description / Remarks	Mat.-No.
4	Locking clip	52633
5	Divider / Type I, S _T =2.5mm, movable	52564
6	Divider / Type II, S _T =5mm, movable	52565
7	Al hollow profile / 11x4, for height separation with item 4, L=B _I -1mm, max. 3lnm ³	5803

Item	Plastic height separation - for height separation with divider item 5 ⁴								
8	Width	15	20	25	30	35	40	45	55
	Material No.	52570	52571	52572	52573	52574	52575	52576	52577
	Width	65	75	-	-	-	-	-	-
	Material No.	52578	52579	-	-	-	-	-	-

¹ Mat.-No. for 1 piece of chain incl. stays, assembled / 18 Links=1000mm

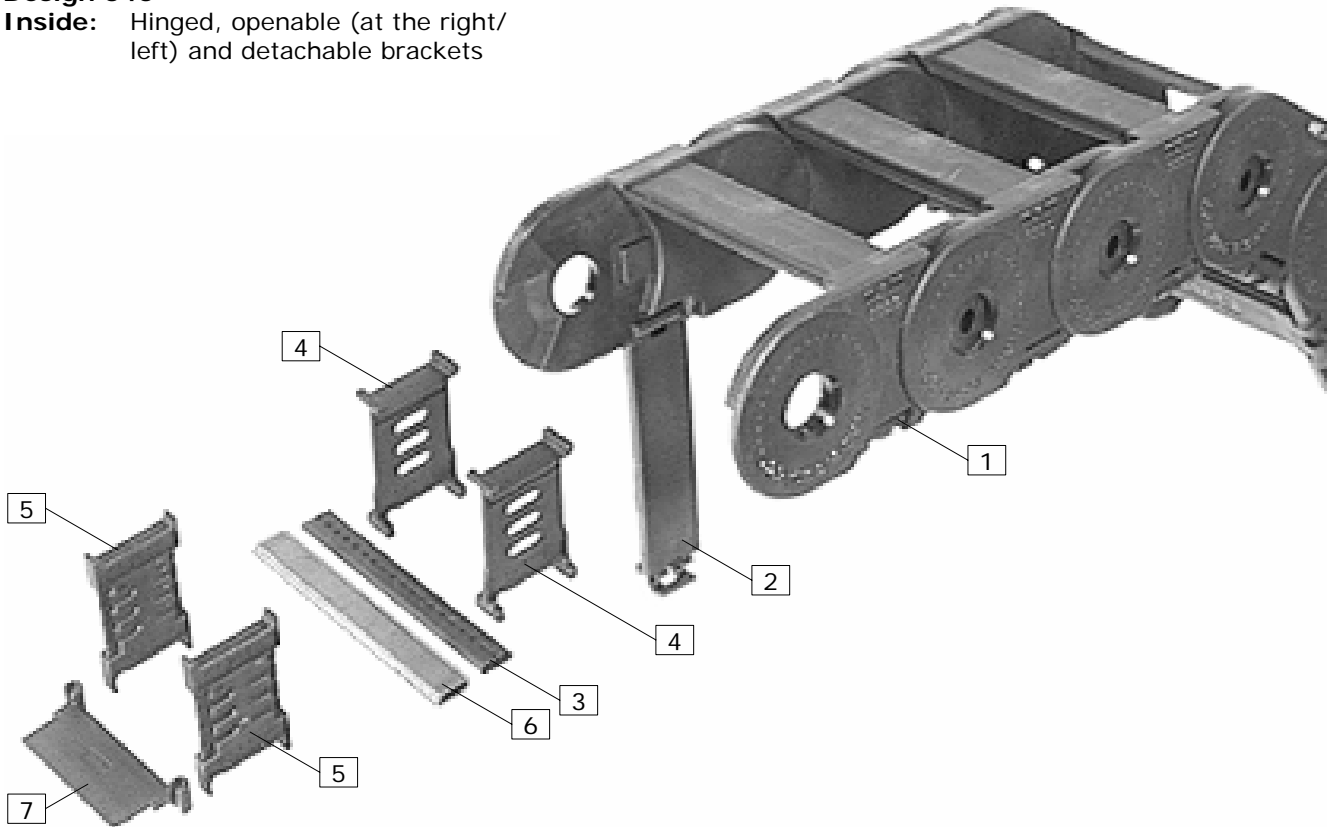
² Plastic connecting profiles 11x4 mm for continuous height separation with item 5

³ Please indicate length per order

⁴ chamber width=width-5mm, thickness=2.4mm

Design 040

Inside: Hinged, openable (at the right/left) and detachable brackets



Item	Description	Bi 50	Bi 75	Bi 100	Bi 125	Bi 150
1 ¹	KR 063	51000	51010	51070	51120	51130
	KR 080	51001	51011	51071	51121	51131
	KR 100	51002	51012	51072	51122	51132
	KR 125	51003	51013	51073	51123	51133
	KR 160	51004	51014	51074	51124	51134
	KR 200	51005	51015	51075	51125	51135
	KR 230	51006	51016	51076	51126	51136
2	Stay	52512	52513	52514	52515	52516
3	Height separation ²	58270 (L=48mm)	71354* (L=76mm)	58273* (L=100mm)	71363 (L=124mm)	71368 (L=148mm)

*) The lengths marked * must be cut to B_i-1 mm.

Item	Description / Remarks	Mat.-No.
4	Divider / Type I, $S_T=2.5$ mm, movable	52564
5	Divider / Type II, $S_T=5$ mm, movable	52565
6	Al hollow profile / 11x4, for height separation with item 4, $L=B_i-1$, max. 3lnm ³	5803

Item	Plastic height separation - for height separation with divider item 5 ⁴								
7	Width	15	20	25	30	35	40	45	55
	Material No.	52570	52571	52572	52573	52574	52575	52576	52577
	Width	65	75	-	-	-	-	-	-
Material No.	52578	52579	-	-	-	-	-	-	

¹ Mat.-No. for 1 piece of chain incl. stays, assembled / 18 Links=1000mm

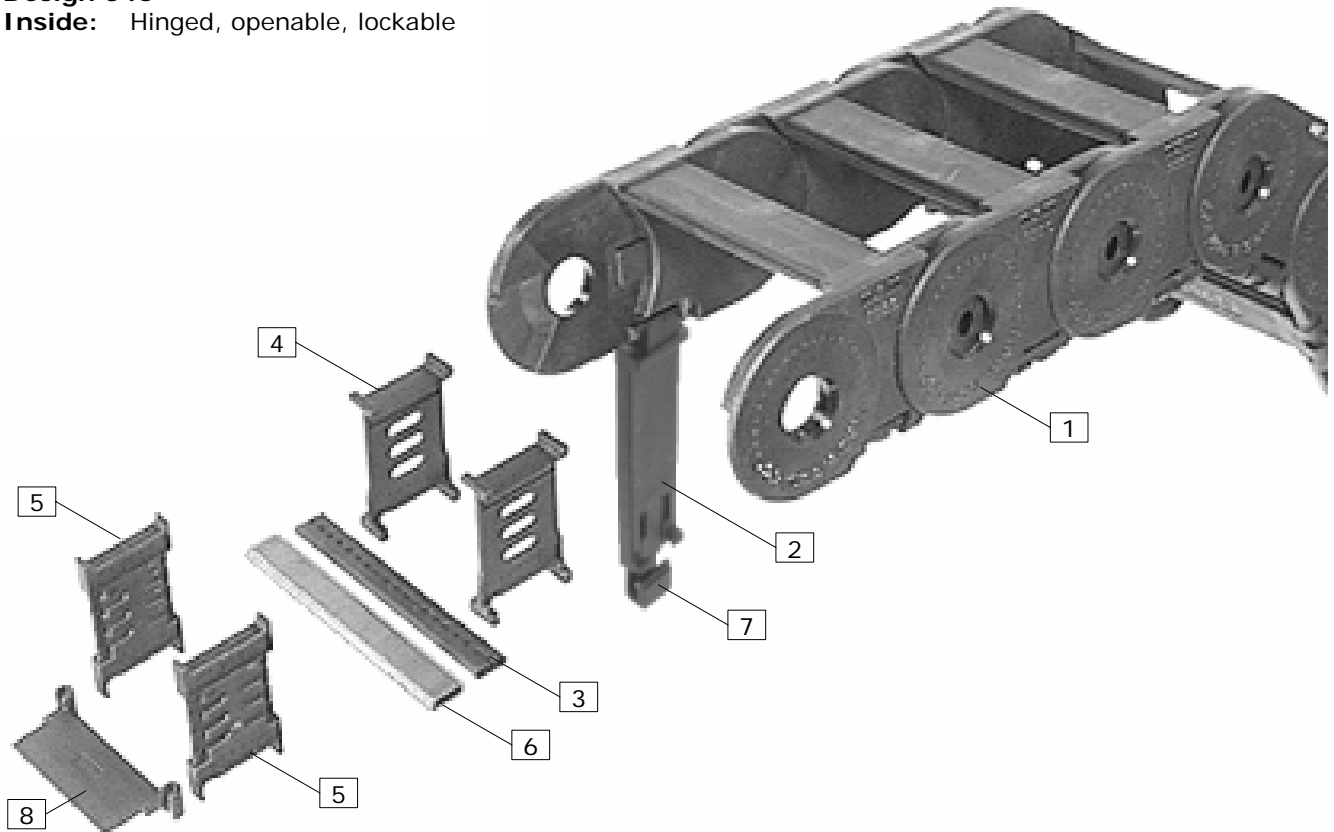
² Plastic connecting profiles 11x4 mm for continuous height separation with item 4

³ Please indicate length per order

⁴ chamber width=width-5mm, thickness=2.4mm

Design 045

Inside: Hinged, openable, lockable



Item	Description	Bi 50	Bi 75	Bi 100	Bi 125	Bi 150
1 ¹	KR 063	51000	51010	51070	51120	51130
	KR 080	51001	51011	51071	51121	51131
	KR 100	51002	51012	51072	51122	51132
	KR 125	51003	51013	51073	51123	51133
	KR 160	51004	51014	51074	51124	51134
	KR 200	51005	51015	51075	51125	51135
	KR 230	51006	51016	51076	51126	51136
2	Stay	52630	52631	52632	52639	52640
3	Height separation ²	58270 (L=48mm)	71354* (L=76mm)	58273* (L=100mm)	71363 (L=124mm)	71368 (L=148mm)

*) The lengths marked * must be cut to B_i-1 mm.

Item	Description / Remarks	Mat.-No.
4	Divider / Type I, $S_T=2.5$ mm, movable	52564
5	Divider / Type II, $S_T=5$ mm, movable	52565
6	Al hollow profile / 11x4, for height separation with item 4, $L=B_i-1$ mm, max. 3lnm ³	5803
7	Locking clip	52633

Item	Plastic height separation - for height separation with divider item 6 ⁴								
8	Width	15	20	25	30	35	40	45	55
	Material No.	52570	52571	52572	52573	52574	52575	52576	52577
	Width	65	75	-	-	-	-	-	-
Material No.	52578	52579	-	-	-	-	-	-	

¹ Mat.-No. for 1 piece of chain incl. stays, assembled / 18 Links=1000mm

² Plastic connecting profiles 11x4 mm for continuous height separation with item 4

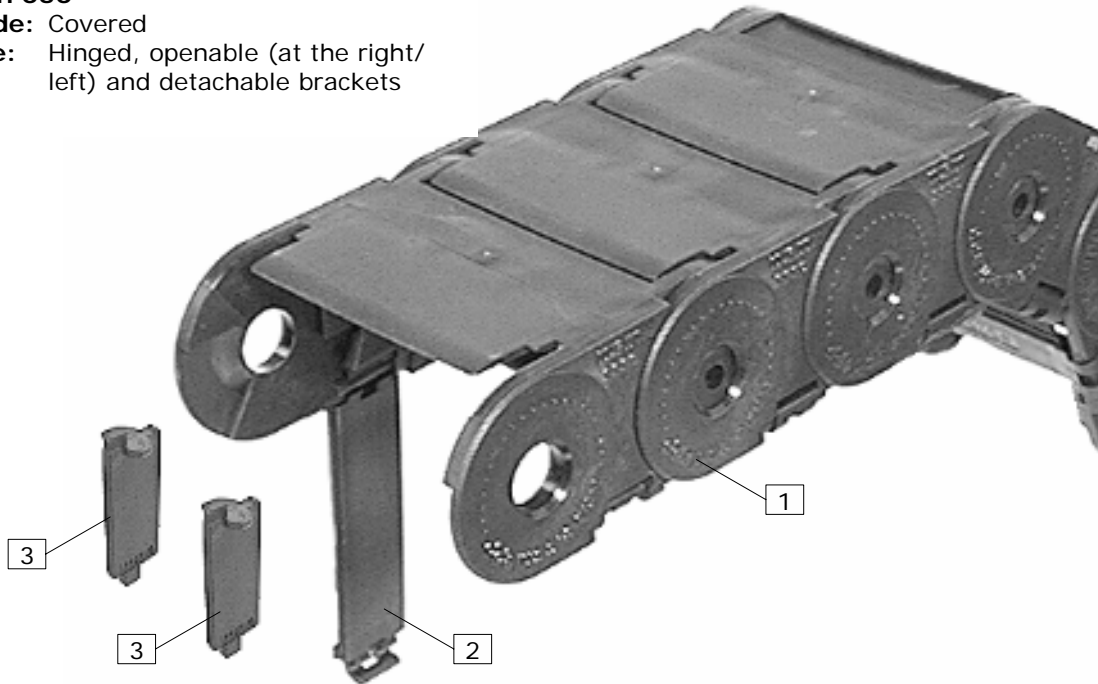
³ Please indicate length per order

⁴ chamber width=width-5mm, thickness=2.4mm

Design 050

Outside: Covered

Inside: Hinged, openable (at the right/ left) and detachable brackets



Item	Description	Bi 50	Bi 75	Bi 100	Bi 125	Bi 150
1 ¹	KR 063	51020	51030	51080	51140	51150
	KR 080	51021	51031	51081	51141	51151
	KR 100	51022	51032	51082	51142	51152
	KR 125	51023	51033	51083	51143	51153
	KR 160	51024	51034	51084	51144	51154
	KR 200	51025	51035	51085	51145	51155
	KR 230	51026	51036	51086	51146	51156
2	Stay	52512	52513	52514	52515	52516

Item	Description / Remarks	Mat.-No.
3 ²	Divider / Type III, S _T =3mm, fixed in certain steps	52566

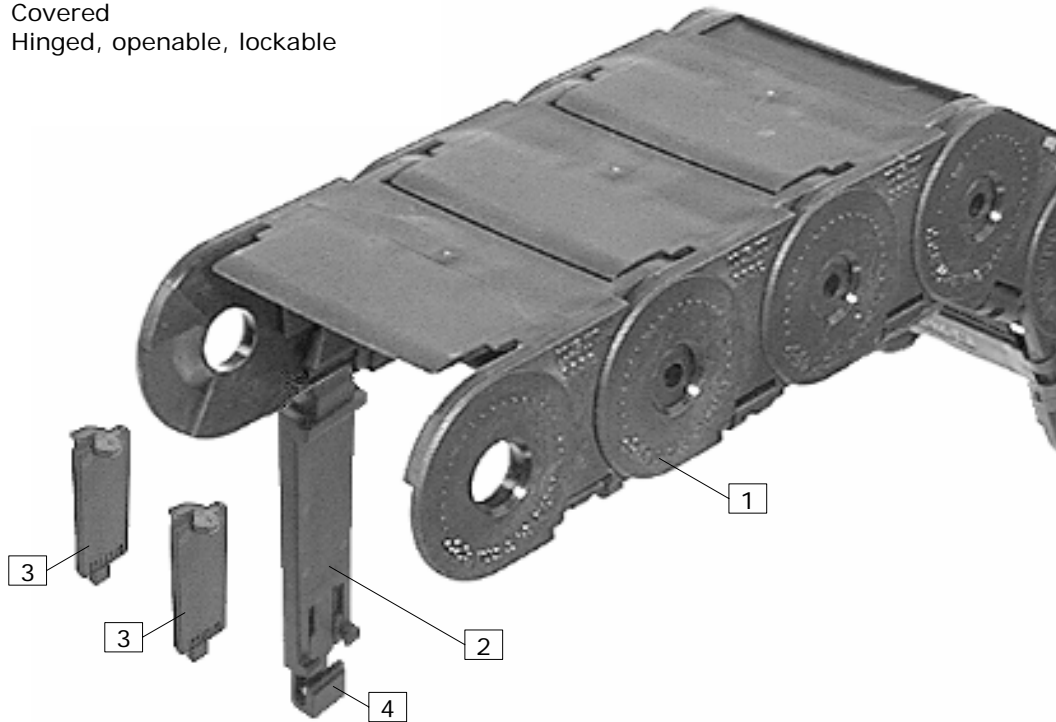
¹ Mat.-No. for 1 piece of chain incl. stays, assembled / 18 Links=1000mm

² For use in series 050 the lower nose of the divider must be removed.

Design 055

Outside: Covered

Inside: Hinged, openable, lockable



Item	Description	Bi 50	Bi 75	Bi 100	Bi 125	Bi 150
1 ¹	KR 063	51020	51030	51080	51140	51150
	KR 080	51021	51031	51081	51141	51151
	KR 100	51022	51032	51082	51142	51152
	KR 125	51023	51033	51083	51143	51153
	KR 160	51024	51034	51084	51144	51154
	KR 200	51025	51035	51085	51145	51155
	KR 230	51026	51036	51086	51146	51156
2	Stay	52630	52631	52632	52639	52640

Item	Description / Remarks	Mat.-No.
3 ²	Divider / Type III, S _T =3mm, fixed in certain steps	52566
4	Locking clip	52633

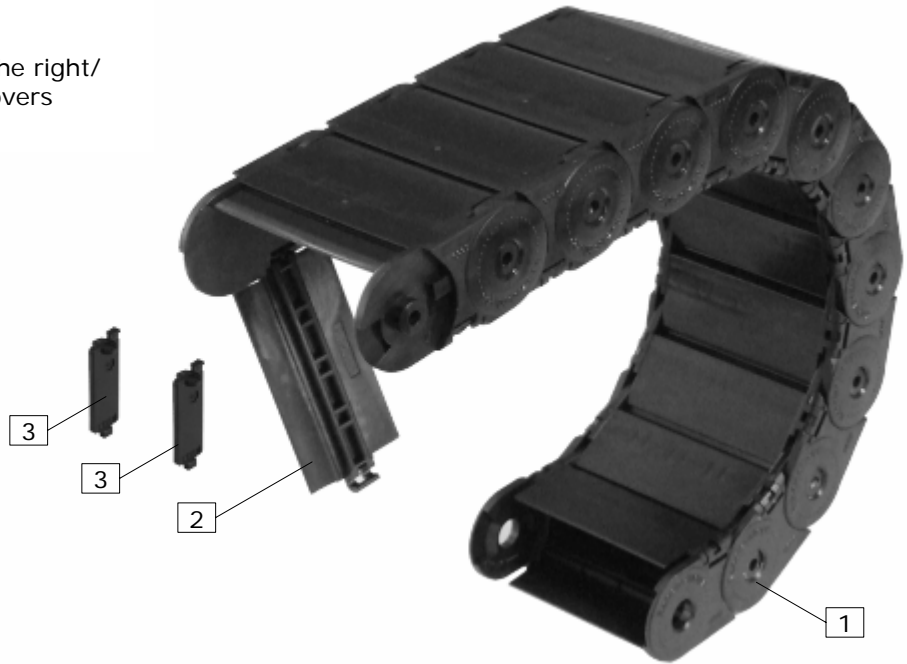
¹ Mat.-No. for 1 piece of chain incl. stays, assembled / 18 Links=1000mm

² For use in series 050 the lower nose of the divider must be removed.

Design 060

Outside and inside: Covered

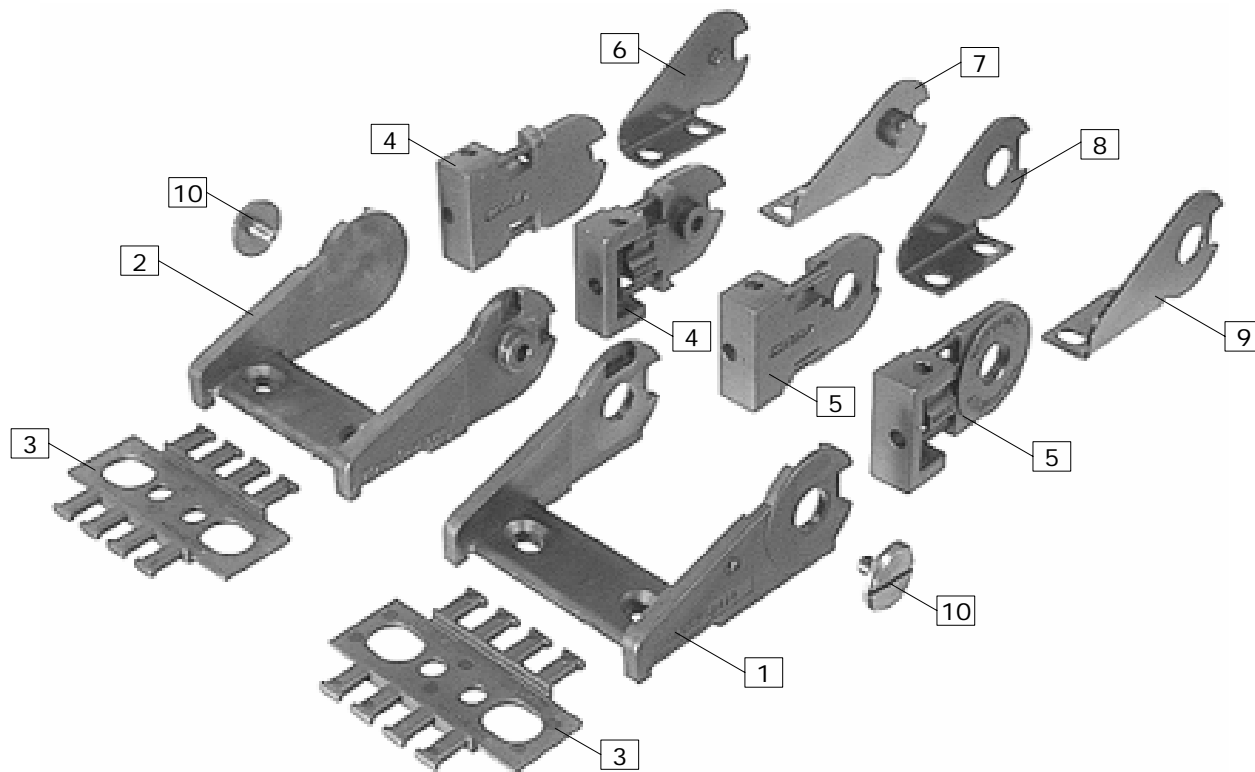
Inside: Hinged, openable (at the right/left) and detachable covers



Item	Description	Bi 50	Bi 75	Bi 100	Bi 125	Bi 150
1 ¹	KR 063	(KR _{min} : 100mm for Type 0555.060)				
	KR 080					
	KR 100	51042	51052	51092	51162	51172
	KR 125	51043	51053	51093	51163	51173
	KR 160	51044	51054	51094	51164	51174
	KR 200	51045	51055	51095	51165	51175
	KR 230	51046	51056	51096	51166	51176
2	Inside cover	52542	52543	52544	52545	52546

Item	Description / Remarks	Mat.-No.
3	Divider / Type III, S _T =3mm, fixed in certain steps	52566

¹ Mat.-No. for 1 piece of chain incl covers, assembled / 18 Links=1000mm



Item	Connecting piece ¹	Bi 50	Bi 75	Bi 100	Bi 125	Bi 150
1	without bolts	52440	52442	52444	52446	52448
2	with bolts	52441	52443	52445	52447	52449
3	Strain relief	52485	52486	52487	52488	52489

Item	Description / Remarks	Mat.-No.
4 ²	Al front connector / left/right with bolts	52624
5 ²	Al front connector / left/right without bolts	52625
6	Steel End connector / left with bolts	52604
7	Steel End connector / right with bolts	52605
8	Steel End connector / left without bolts	52606
9	Steel End connector / right without bolts	52607
10	Screw M8x10 / only for additional fixing of the parts	20923

Remarks:

- End pieces without bolts are fitted to the driver point (Standard)
- End pieces with bolts are fitted to the fixed point (Standard)

¹ Standard: one piece connecting pieces with additional strain relief element.

² For each connection 2 stays without locking clip (#5251x) resp. covers of the correct width are required.