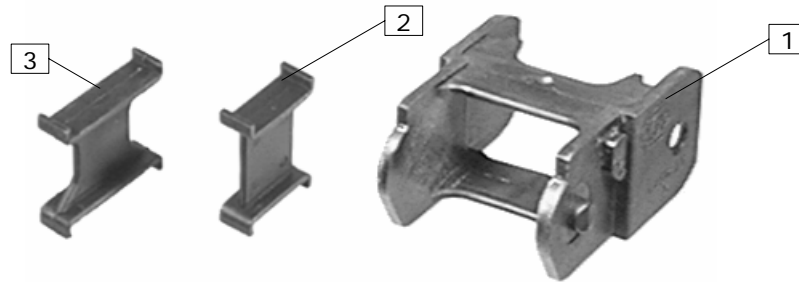


BASIC-LINE

Cable carriers with fixed chain widths

MONO 0450

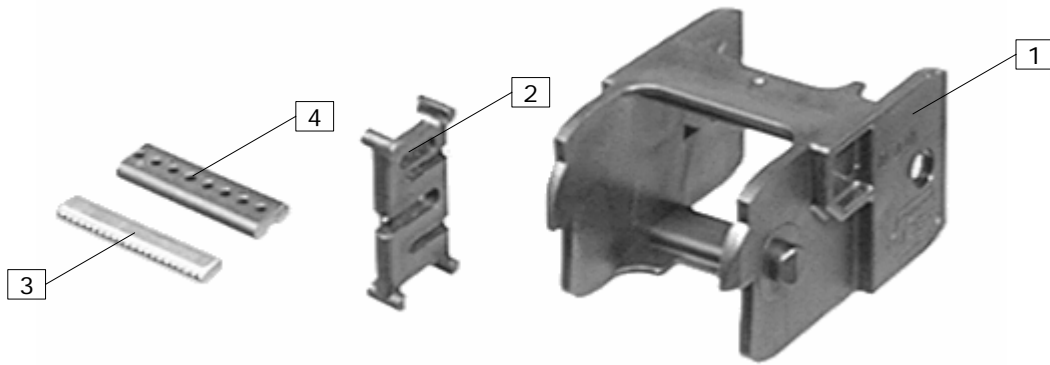
Type	Page
0450.10/.20/.40/.60/.85	2
0450.22/.32/.42/.62/.82 .24/.34/.44	3
0450.21/.41/.61/.63/.81	4
AW for 0450.x0	5
AW for 0450.x1/2/4	6



Item	Description	0450.10 Bk=44mm	0450.20 Bk=54mm	0450.40 Bk=74mm	0450.60 Bk=94mm	0450.85 Bk=119mm
1 ¹	KR 52	-	55737	56950	56810	57050
	KR 94	-	55745	56956	56820	57055
	KR 125	-	55749	56962	56830	57060
	KR 150	-	55751	56964	56840	57065
	KR 200	-	55752	56965	56842	57070
	KR 65 RKR 65	54970	-	-	-	-

Item	Description / Remarks	Material-No.
2	Divider / for chain type 0450.20/40/60, B=2,5mm	56725
3	Divider / for chain type 0450.85, B=2,5mm	56726

¹ Material numbers for 1 piece of cable drag chain assembled (22 links=990mm long)
Standard types with closed frame, $h_1=24\text{mm}$



Item	Description	0450.22 Bk=54mm	0450.32 Bk=64mm	0450.42 Bk=74mm	0450.62 Bk=94mm	0450.82 Bk=119mm
1 ¹	KR 52	56040	56008	56060	56080	56100
	KR 60	56041	56009	56061	56081	56101
	KR 75	56042	56010	56062	56082	56102
	KR 94	56043	56011	56063	56083	56103
	KR 110	56044	56012	56064	56084	56104
	KR 125	56045	56013	56065	56085	56105
	KR 150	56046	56014	56066	56086	56106
	KR 200	56047	56015	56067	56087	56107
	KR / RKR 52	56059	56999	56077	56097	56117

Item	Description / Remarks	Material-No.
2	Divider / for chain types 0450.22/32/42/62/82, B=4,2mm	71602
3	Al flat profile / 6x2,4 for continuous height separation with divider item 2 ²	5801

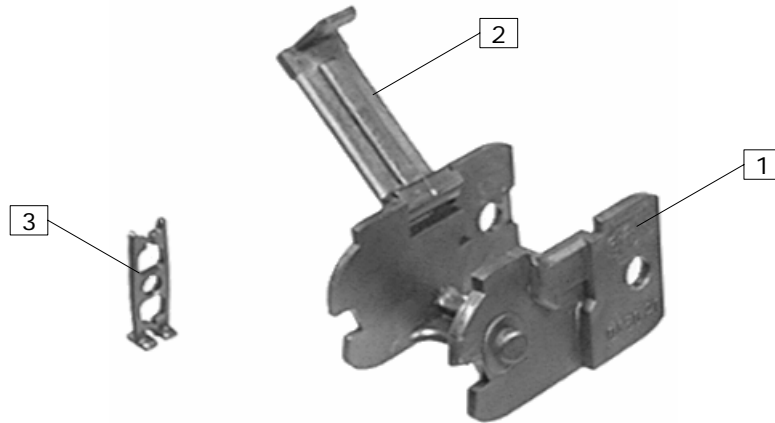
Item	Connecting profile / Plastic for height separation with divider item 2										
4	L	16	20	24	28	32	36	40	44	48	52
	Mat.-No.	71341	71342	71343	71344	71345	71346	71347	71348	58270	71349
	L	56	60	64	68	72	76	80	84	88	92
	Mat.-No.	71350	58271	71351	71352	71353	71354	58272	71355	71356	71357
	L	96	100	-	-	-	-	-	-	-	-
	Mat.-No.	71358	58273	-	-	-	-	-	-	-	-

Special cross sections with closed frame:

Item	Description	0450.24 Bk=54mm	0450.34 Bk=64mm	0450.44 Bk=74mm
no pic.	KR 52	55753	56024	56970
	KR 60	-	56025	-
	KR 75	-	56026	-
	KR 94	55245	56027	-
	KR 110	-	56028	-
	KR 125	-	56029	-
	KR 150	-	56030	-
	KR 200	-	56031	-

¹ Material numbers for 1 piece of cable drag chain assembled (22 links=990mm long)
Standard types with closed frame, h_i=28mm.

² Please indicate length per order, max. 3m.

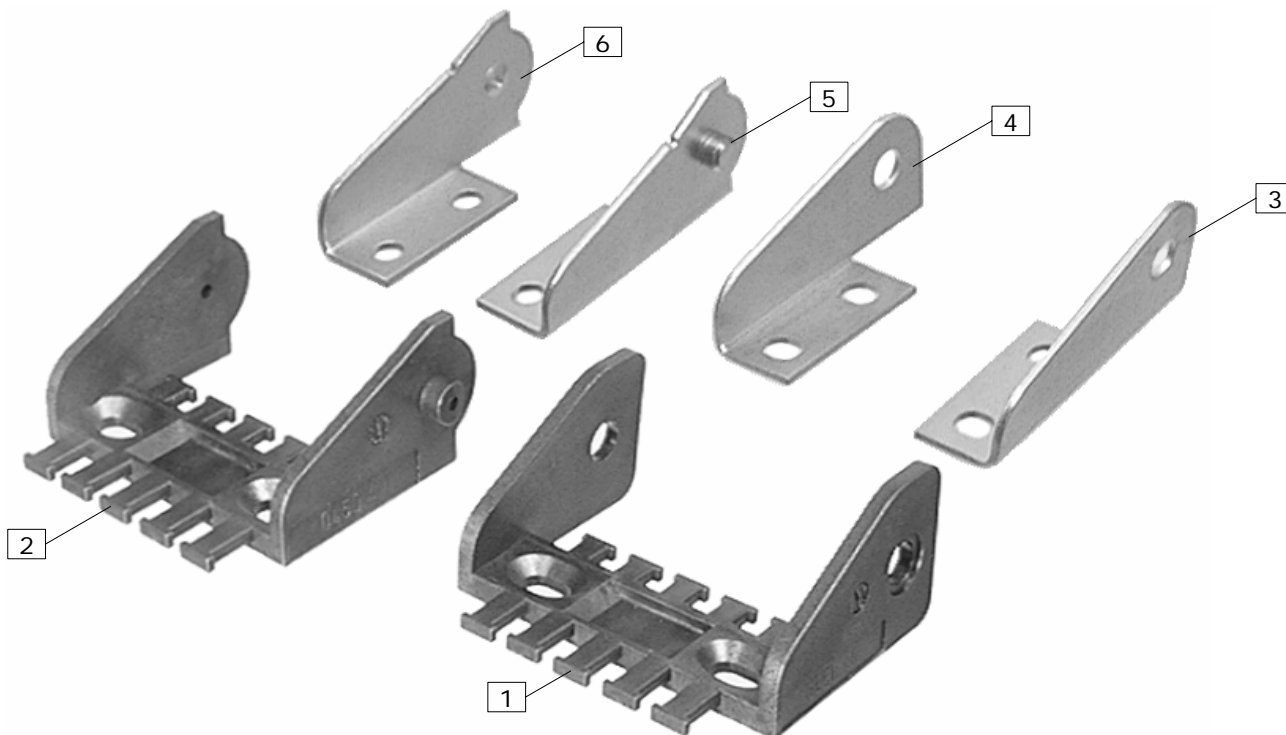


Item	Description	0450.21 Bk=54mm	0450.41 Bk=74mm	0450.61 Bk=94mm	0450.63) ¹ Bk=94mm	0450.81 Bk=119mm
1 ²	KR 52	58150	58170	58190	Not at stock	58120
	KR 94	58152	58172	58192	Not at stock	58121
	KR 110	–	58173	–	–	–
	KR 125	58154	58174	58194	Not at stock	58122
	KR 150	58156	58176	58196	Not at stock	58123
	KR 200	58158	58178	58198	Not at stock	58124
	KR 52 RKR 52	58151	–	–	–	–
2	stays, single part	56730	56732	56734	56734	58134

Item	Description / Remarks	Material-No.
3	Dividers / for chain types 0450.21/41/61/63/81, B=2,5mm	56720

¹ Type 0450.63 as 0450.61, but with bolt \varnothing 12mm

² Material numbers for 1 piece of cable drag chain assembled (22 links=990mm long)
Standard types with stays to be opened outside, $h_1=24$ mm

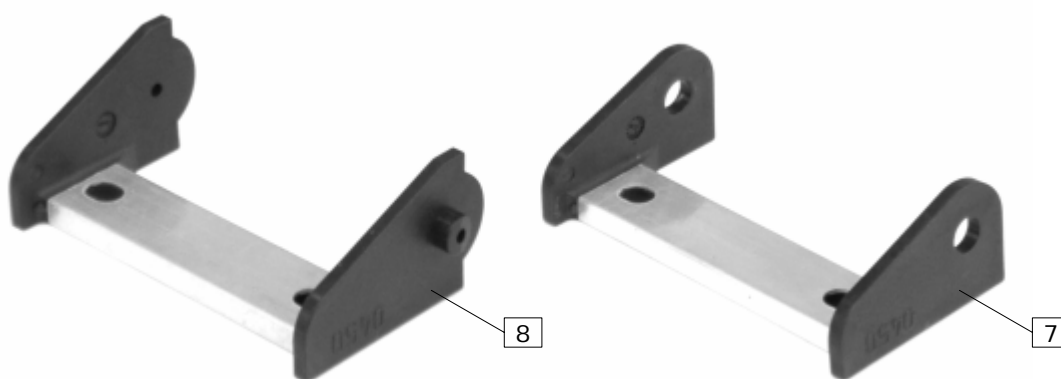


One-piece end connectors made of plastic with integrated strain relief (Standard)

Item	Description	for chain types			
		0450.20	0450.40	0450.60	0450.85
1	without bolts	52328	52330	52332	52334
2	with bolts	52329	52331	52333	52335

End connectors made of steel

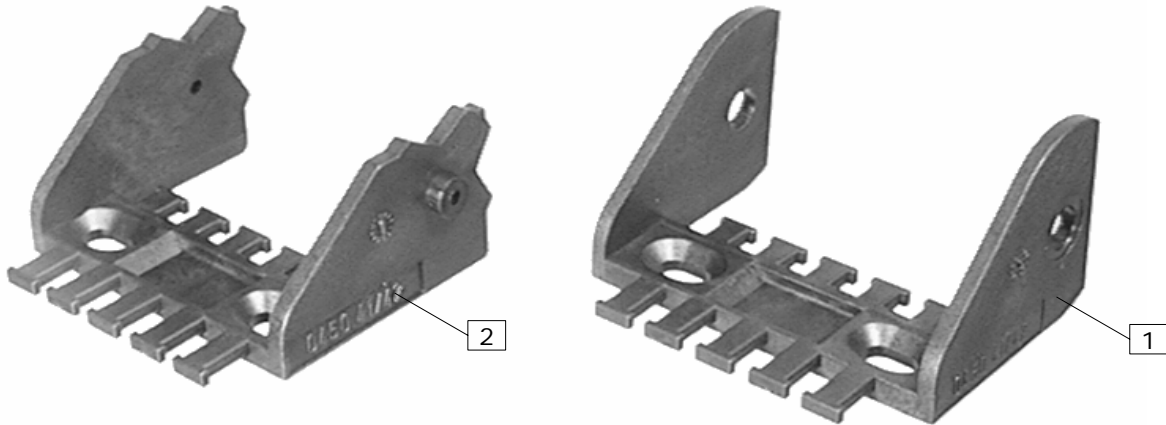
Item	Description / Remarks	Material-No.
3	Steel end connectors right without bolts / for 0450.20/40/60/85	55706
4	Steel end connectors left without bolts / for 0450.20/40/60/85	55707
5	Steel end connectors right with bolts / for 0450.20/40/60/85	55708
6	Steel end connectors left with bolts / for 0450.20/40/60/85	55709



One-piece end-connectors made form plastic/Alu, swivel

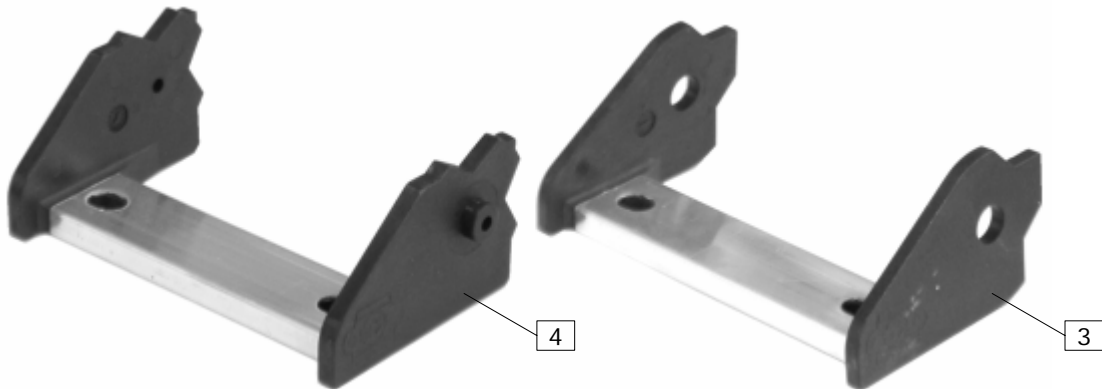
Pos.	Description	for chain types			
		0450.20	0450.40	0450.60	0450.85
7	Without bolts	55700	55921	56736	- ¹
8	With bolts	55701	55922	56737	- ¹

¹ Not at stock



One-piece end connectors made of plastic with integrated strain relief (Standard)

Item	Description	for chain types			
		0450.21/22/24	0450.41/42/44	0450.61/62	0450.81/82
1	without bolts	52336	52338	52340	52342
2	with bolts	52337	52339	52341	52343



One piece end connectors made of plastic/Alu, swivel

Pos.	Description	for chain types				
		0450.21/22	0450.32/34	0450.41/42	0450.61/62	0450.81/82
No pic.	Without bolts	57888	56053	57901	57988	58132
No pic.	With bolts	57889	56052	57902	57989	58133

One piece end connectors made of plastic/Alu, no swivel

Pos.	Description	for chain type				
		0450.21/22	0450.32/34	0450.41/42	0450.61/62	0450.81/82
3	Without bolts	57890	56049	57968	57993	58130
4	With bolts	57900	56048	57969	57994	58131