

BASIC-LINE

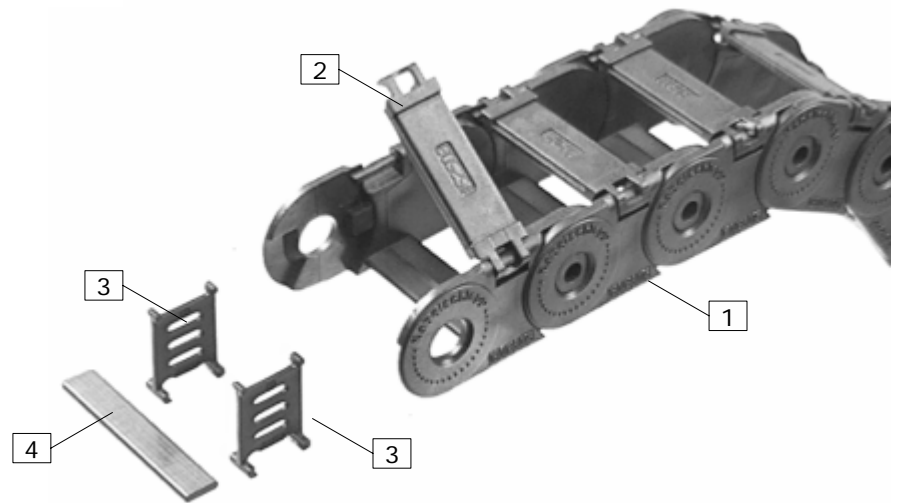
Cable carriers with fixed chain widths

UNIFLEX 0345

0345.030	2
0345.035	3
0345.040	4
0345.045	5
0345.050	6
0345.055	7
0345.060	8
Connecting pieces for 0345	9

Design 030

Outside: Hinged, openable (at the right/left) and detachable brackets



Item	Description	Bi 15	Bi 20	Bi 25	Bi 38	Bi 50	Bi 65	Bi 90
1 ¹	KR 038	50500	50510	50580	50590	50660	50670	50400
	KR 050	50501	50511	50581	50591	50661	50671	50401
	KR 075	50502	50512	50582	50592	50662	50672	50402
	KR 100	50503	50513	50583	50593	50663	50673	50403
	KR 125	50504	50514	50584	50594	50664	50674	50404
	KR 150	50505	50515	50585	50595	50665	50675	50405
2	Stay	52500	52501	52502	52503	52504	52505	52526

Item	Description / Remarks	Mat.-No.
3	Divider / Type I, $S_T=2\text{mm}$, movable	52560
4	Al flat profile / 9x2, for height separation, $L=B_i-1\text{mm}$, max. 3lnm^2	6240

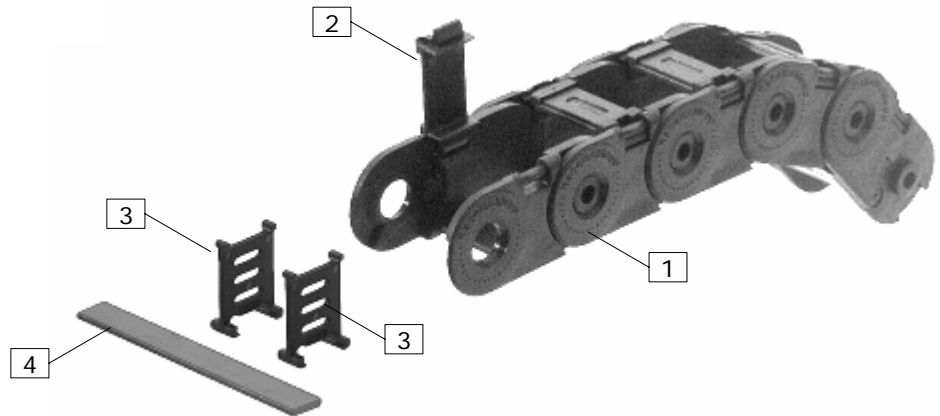
Type 030 is to be opened outside, the stays are hinged on both sides.

¹ Mat.-No. for 1 piece of chain incl. stays, assembled / 29 Links=1000mm

² Please indicate length per order.

Design 035

Outside: Hinged, openable, locked



Item	Description	Bi 15	Bi 20	Bi 25	Bi 38	Bi 50	Bi 65	Bi 90
1 ¹	KR 038	50500	50510	50580	50590	50660	50670	50400
	KR 050	50501	50511	50581	50591	50661	50671	50401
	KR 075	50502	50512	50582	50592	50662	50672	50402
	KR 100	50503	50513	50583	50593	50663	50673	50403
	KR 125	50504	50514	50584	50594	50664	50674	50404
	KR 150	50505	50515	50585	50595	50665	50675	50405
2	Stays	52660	52661	52662	52663	52664	52665	52666

Item	Description / Remarks	Mat.-No.
3	Divider / Type I, $S_T=2\text{mm}$, movable	52560
4	Al flat profile / 9x2, for height separation, $L=B_i-1\text{mm}$, max. 3Inm^2	6240

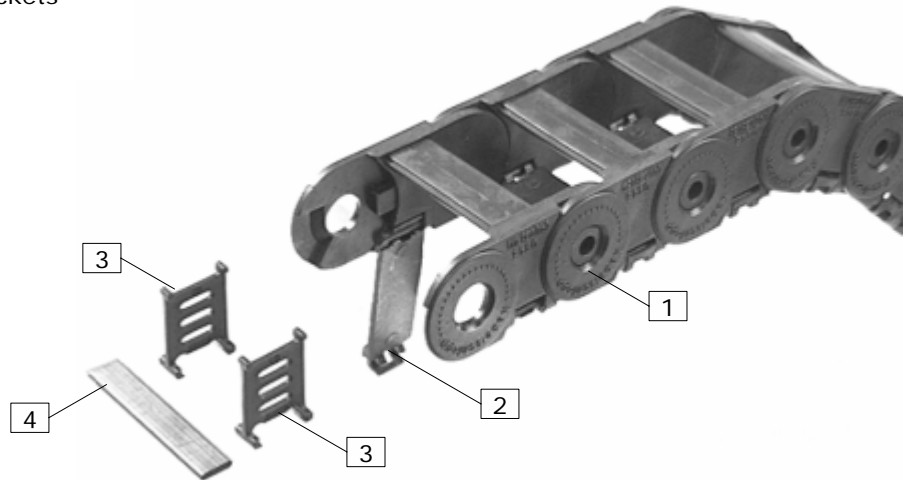
Type 035 is to be opened outside, the stays hinge in both directions and are locked

¹ Länge bei Bestellung angeben / 29 Links=1000mm

² Please indicate length per order.

Design 040

Inside: Hinged, openable (at the right/left) and detachable brackets



Item	Description	Bi 15	Bi 20	Bi 25	Bi 38	Bi 50	Bi 65	Bi 90
1 ¹	KR 038	50520	50530	50600	50610	50680	50690	50410
	KR 050	50521	50531	50601	50611	50681	50691	50411
	KR 075	50522	50532	50602	50612	50682	50692	50412
	KR 100	50523	50533	50603	50613	50683	50693	50413
	KR 125	50524	50534	50604	50614	50684	50694	50414
	KR 150	50525	50535	50605	50615	50685	50695	50415
2	Stays	52500	52501	52502	52503	52504	52505	52526

Item	Description / Remarks	Mat.-No.
3	Divider / Type I, $S_T=2\text{mm}$, movable	52560
4	Al flat profile / 9x2, for height separation, $L=B_i-1\text{mm}$, max. 3Inm^2	6240

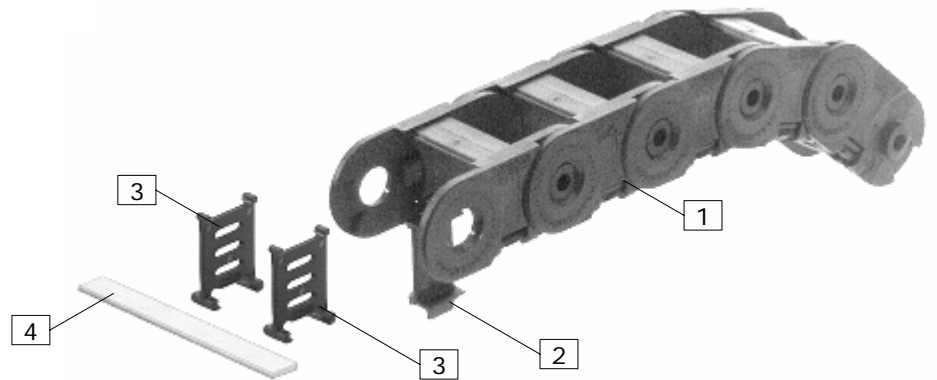
Type 040 is to be opened inside, the stays can hinge in both directions.

¹ Mat.-No. for 1 piece of chain incl. stays, assembled / 29 Links=1000mm

² Please indicate length per order.

Design 045

Inside: Hinged, openable, locked



Item	Description	Bi 15	Bi 20	Bi 25	Bi 38	Bi 50	Bi 65	Bi 90
1 ¹	KR 038	50520	50530	50600	50610	50680	50690	50410
	KR 050	50521	50531	50601	50611	50681	50691	50411
	KR 075	50522	50532	50602	50612	50682	50692	50412
	KR 100	50523	50533	50603	50613	50683	50693	50413
	KR 125	50524	50534	50604	50614	50684	50694	50414
	KR 150	50525	50535	50605	50615	50685	50695	50415
2	Stays	52660	52661	52662	52663	52664	52665	52666

Item	Description / Remarks	Mat.-No.
3	Divider / Type I, $S_T=2\text{mm}$, movable	52560
4	Al flat profile / 9x2, for height separation, $L=B_i-1\text{mm}$, max. 3Inm^2	6240

Type 045 is to be opened inside, the stays can hinge in both directions and are locked.

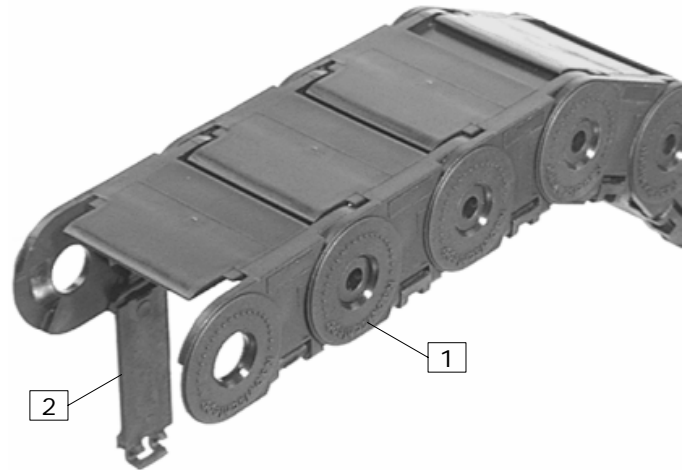
¹ Mat.-No. for 1 piece of chain incl. stays, assembled / 29 Links=1000mm

² Please indicate length per order.

Design 050

Outside: Covered

Inside: Hinged, openable (at the right/left) and detachable brackets



Item	Description	Bi 15	Bi 20	Bi 25	Bi 38	Bi 50	Bi 65
1 ¹	KR 038	50540	50550	50620	50630	50700	50710
	KR 050	50541	50551	50621	50631	50701	50711
	KR 075	50542	50552	50622	50632	50702	50712
	KR 100	50543	50553	50623	50633	50703	50713
	KR 125	50544	50554	50624	50634	50704	50714
	KR 150	50545	50555	50625	50635	50705	50715
2	Stays	52500	52501	52502	52503	52504	52505

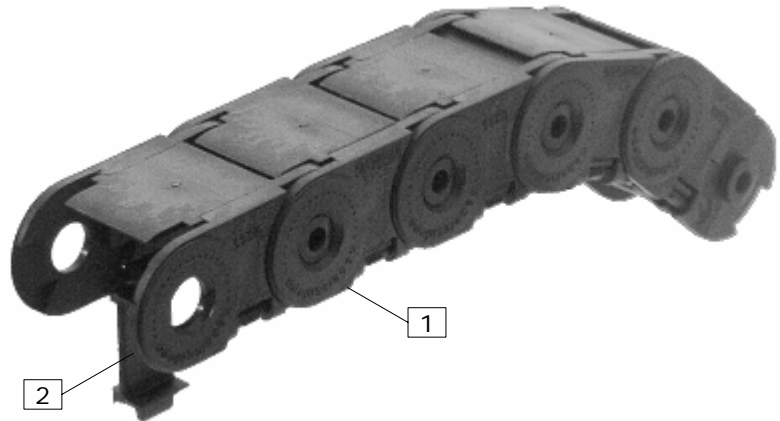
Type 050 is to be opened inside, the stays can hinge in both directions.
For type 0345.050 no dividers are available.

¹ Mat.-No. for 1 piece of chain incl. stays, assembled / 29 Links=1000mm

Design 055

Outside: Covered

Inside: Hinged, openable, locked



Item	Description	Bi 15	Bi 20	Bi 25	Bi 38	Bi 50	Bi 65
1 ¹	KR 038	50540	50550	50620	50630	50700	50710
	KR 050	50541	50551	50621	50631	50701	50711
	KR 075	50542	50552	50622	50632	50702	50712
	KR 100	50543	50553	50623	50633	50703	50713
	KR 125	50544	50554	50624	50634	50704	50714
	KR 150	50545	50555	50625	50635	50705	50715
2	Stays	52660	52661	52662	52663	52664	52665

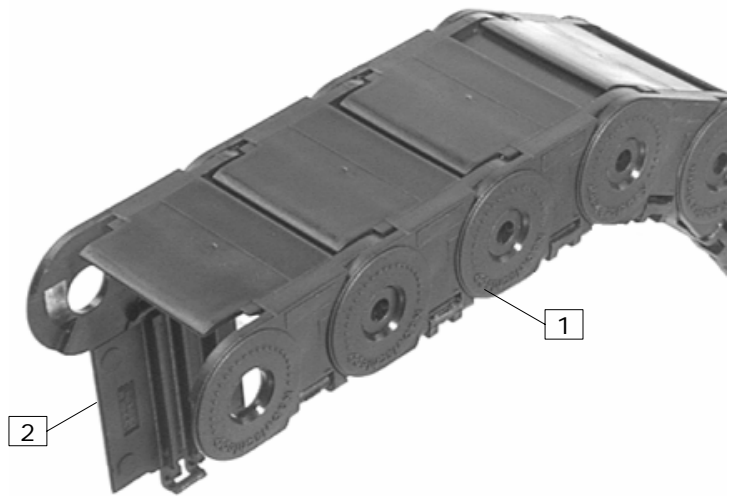
Type 055 is to be opened inside, the stays can hinge in both directions and are locked.
For type 0345.055 no dividers are available.

¹ Mat.-No. for 1 piece of chain incl. stays, assembled / 29 Links=1000mm

Design 060

Outside and inside: Covered

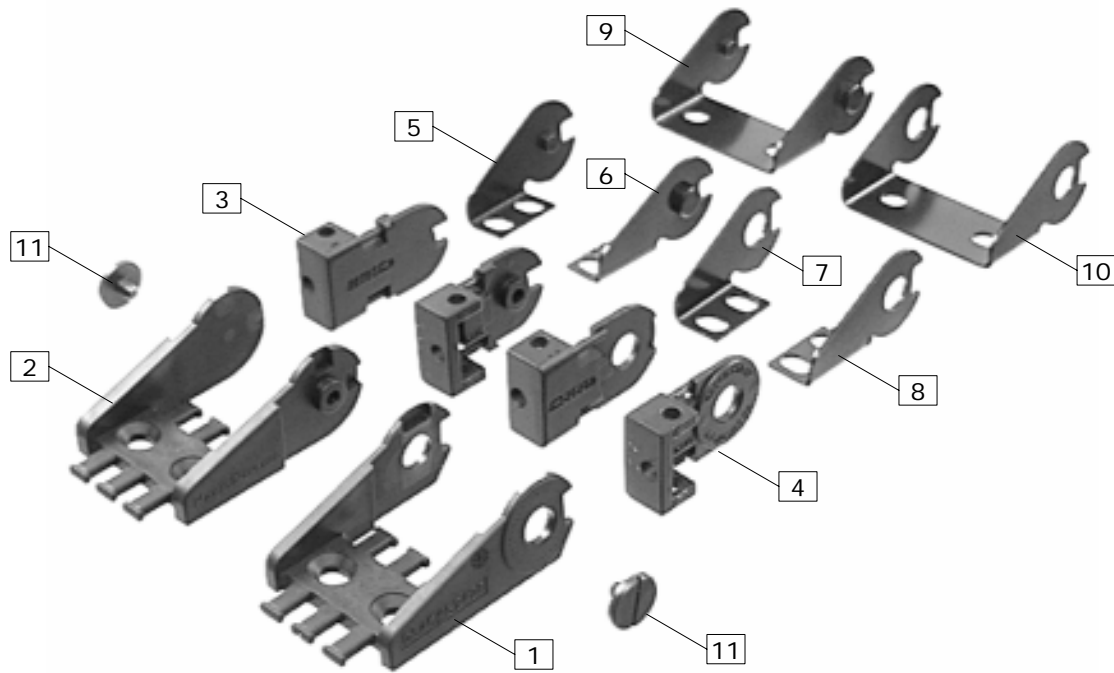
Inside: Hinged, openable (at the right/left) and detachable covers



Item	Description	Bi 15	Bi 20	Bi 25	Bi 38	Bi 50	Bi 65
1 ¹	KR 038	(KR _{min} : 75 for type 0345.060)					
	KR 050						
	KR 075	50562	50572	50642	50652	50722	50732
	KR 100	50563	50573	50643	50653	50723	50733
	KR 125	50564	50574	50644	50654	50724	50734
	KR 150	50565	50575	50645	50655	50725	50735
2	Inside cover	52530	52531	52532	52533	52534	52535

Type 060 is to be opened inside, the cover elements can hinge in both directions.
For type 0345.060 no dividers are available.

¹ Mat.-No. for 1 piece of chain incl. stays, assembled / 29 Links=1000mm



Item	Connecting pieces ¹	Bi 15	Bi 20	Bi 25	Bi 38	Bi 50	Bi 65
1	without bolts	52400	52402	52404	52406	52408	52410
2	with bolts	52401	52403	52405	52407	52409	52411

Item	Description / Remarks	Mat.-No.
3 ²	Al front connecting piece / left / right with bolts	52620
4 ²	Al front connecting piece / left / right without bolts	52621
5	St-Connecting pieces / left with bolts	52596
6	St-Connecting pieces / right with bolts	52597
7	St-Connecting pieces / left without bolts	52598
8	St-Connecting pieces / right without bolts	52599
9	Steel end connector (one part) with bolts / for Bi 50mm	52613
	Steel end connector (one part) with bolts / for Bi 90mm	52615
10	Steel end connector (one part) without bolts / for Bi 50mm	52612
	Steel end connector (one part) without bolts / for Bi 90mm	52614
11	Locking screw M5x6 / for additional fixing of the parts	20921

Remarks:

- End pieces without bolts are fitted to the driver point (Standard)
- End pieces with bolts are fitted to the fixed point (Standard)

¹ Standard: one piece connecting pieces with integrated strain relief element.

² For each connection 2 stays without locking clip resp. covers of the correct width are required.